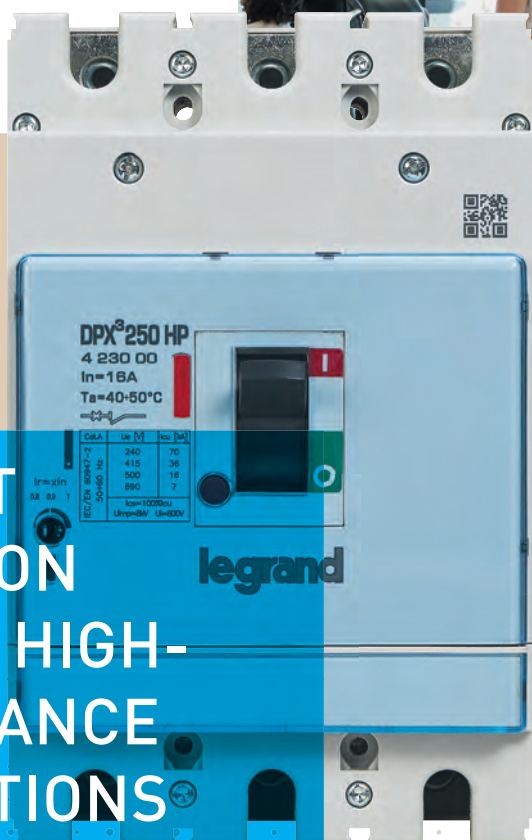


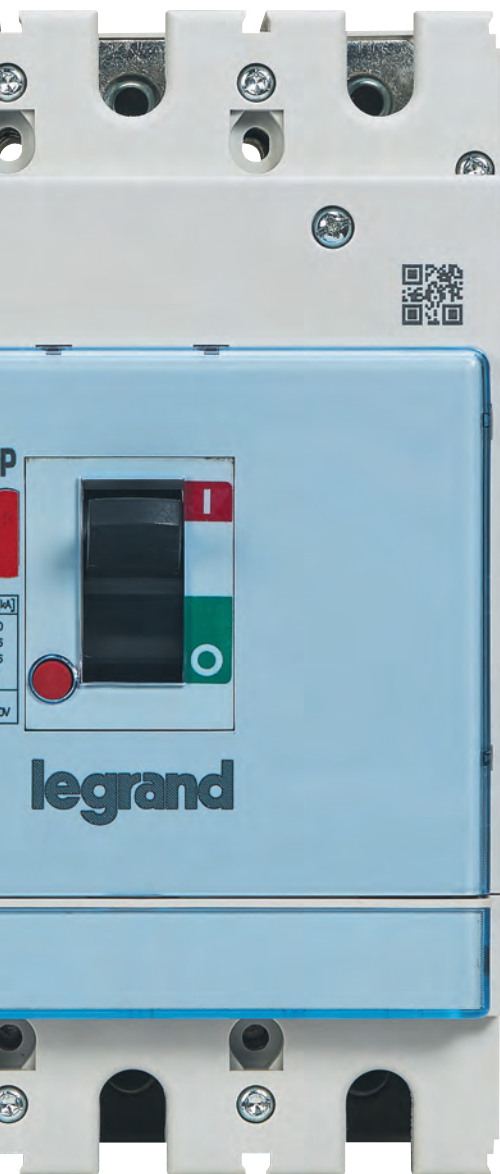
MOULDED CASE  
CIRCUIT BREAKERS  
from 16 A to 1600 A



THE RIGHT  
PROTECTION  
FOR YOUR HIGH-  
PERFORMANCE  
INSTALLATIONS

DPX<sup>3</sup> 125 HP/160 HP/250 HP/  
630 AND 1600

CATALOGUE  
PAGES  
INSIDE



**The new DPX<sup>3</sup> 125 HP, 160 HP and 250 HP MCCBs extend the advantages of the DPX<sup>3</sup> range from 16 A to 1600 A. Not only do DPX<sup>3</sup> HP MCCBs provide reliable, accurate protection, they also offer numerous benefits for your low voltage distribution boards.**

The wide choice of characteristics and versions meets the requirements of all types of installation. The new configurable electronic protection units as well as the different selectivity techniques available help ensure optimum continuity of service. The high limitation capacity in the event of short-circuits ensures a longer service life for your installation. Operation and maintenance are made easy by the comprehensive range of electrical and mechanical auxiliaries. Perfect synergy with Legrand XL<sup>3</sup> and XL<sup>3</sup> S enclosures simplifies implementation. Numerous accessories are available to enable adaptation to any board configuration.

# DPX<sup>3</sup>

**RELIABLE PROTECTION  
AND HIGH PERFORMANCE  
UP TO 1600 A**

Wide choice, high performance and safety

High-performance circuit breakers for your projects .....	2-3
Different versions for all types of installation .....	4-5
Electronic protection configurable to your requirements .....	6-9
Integrated measurement and optimum continuity of service .....	10-11
CX <sup>3</sup> EMS a universal innovative system for energy management .....	12-13

Safety, simplicity and speed of installation

Control and signalling auxiliaries that are easy to install and wire up .....	14-15
Supply inversion and motor operators .....	16-17
Connection accessories for multiple configurations .....	18-19
Plug-in and draw-out versions for perfect continuity of service .....	20-21
XL Pro <sup>3</sup> software makes configuring your enclosures simplicity itself.....	22-23

Catalogue pages

Find all our catalogue numbers and details of their settings .....	24-66
--	-------

DPX<sup>3</sup>

# High-performance circuit breakers for your projects

With DPX<sup>3</sup> 125 HP, 160 HP and 250 HP, which have been added to the DPX<sup>3</sup> 630 and 1600 MCCBs and isolating switches, Legrand offers a solution ideally suited to the performance requirements of all your installations for current ratings from 16 A to 1600 A and breaking capacities up to 100 kA.

2

These products are reliable and rugged, easy to use and install, and provide effective protection for your installation. There is a choice of sizes, available with 3 and 4 poles, in fixed or draw-out versions and with a choice of thermal-magnetic or electronic protection depending on the desired service level. This offer also includes a range of control and signalling units and connection accessories for easy integration in any electrical installation, regardless of configuration.

## MOUNTING ON PLATE

SUITABLE FOR ALL TYPES OF SITE  
IN THE SERVICE SECTOR AND INDUSTRY

In: 16 A → 1600 A

Icu: 36 kA → 100 kA (380/415 V~)

## PROTECTION:

- THERMAL-MAGNETIC OR
- ELECTRONIC (FOR DPX<sup>3</sup> 250 HP, DPX<sup>3</sup> 630 AND 1600)

QUALITY, RELIABILITY  
AND STRENGTH ARE  
THE MAIN ATTRIBUTES  
OF THIS NEW RANGE



NEW



DPX<sup>3</sup> 125 HP

NEW



DPX<sup>3</sup> 160 HP

NEW



DPX<sup>3</sup> 250 HP



DPX<sup>3</sup> 630



DPX<sup>3</sup> 1600





## A LONGER SERVICE LIFE FOR YOUR INSTALLATIONS

The “Active breaking capacity” patented system integrated in the new 70 kA and 100 kA DPX<sup>3</sup> HP MCCBs significantly reduces the current magnitude and dissipated energy in the event of short-circuits, thus increasing the limitation capacity of devices. Improved limitation capacity means less overheating in the cables, fewer mechanical effects, less electromagnetic disturbance, and therefore a longer service life for your installation over time.



VERY HIGH PERFORMANCE LEVEL

## SIZES AVAILABLE

Four circuit breaker sizes available with breaking capacities from 36 to 100 kA over the whole range, which makes them suitable for all types of site in the large service sector and industry.

In	16	25	40	63	80	100	125	160	200	250	320	400	500	630	800	1000	1250	1600	
100 kA																			DPX3 1600
														DPX3 630					
								DPX3 250 HP											
70 kA																			DPX3 1600
														DPX3 630					
								DPX3 250 HP											
50 kA																			DPX3 1600
														DPX3 630					
								DPX3 250 HP											
36 kA																			DPX3 1600
														DPX3 630					
								DPX3 250 HP											

## EASY IDENTIFICATION

Easy identification of the breaking capacity thanks to the colour-coded marking on the front of the equipment:



# Different versions for all types of installation

4

The DPX<sup>3</sup> range offers a wide choice of versions to meet all types of requirement depending on the site.

- Thermal-magnetic, electronic or magnetic-only protection
- With or without integrated residual current protection
- With or without integrated measurement function
- Fixed, plug-in or draw-out version



## MAGNETIC-ONLY CIRCUIT BREAKERS

Magnetic-only circuit breakers, available throughout the range from 6.3 A to 1000 A, are particularly suitable for protecting three-phase motors. Thanks to their high limitation capacity, the new DPX<sup>3</sup> 125 and 250 HP, combined with CTX<sup>3</sup> contactors, can provide type 2 coordination (according to IEC 60947-4-1), and thus provide better continuity of service.

## TRIP-FREE SWITCHES

The 4 device sizes are also produced in a DPX<sup>3</sup>-I 125, 160, 250 HP and DPX<sup>3</sup>-I 630 and 1600 trip-free switch version for installations that only require on-load breaking and separation of circuits. All the control and signalling units and connection accessories are common to those of the corresponding circuit breakers.



DPX<sup>3</sup> 250 HP  
magnetic-only



DPX<sup>3</sup>-I 125 HP  
or DPX<sup>3</sup>-I 160 HP  
trip-free switch



DPX<sup>3</sup>-I 250 HP  
trip-free switch



## A WIDE CHOICE OF VERSIONS

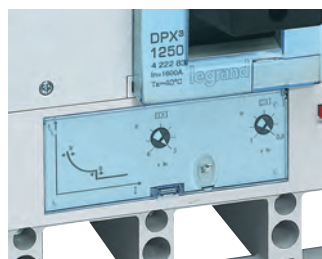
		DPX <sup>3</sup> 125 HP	DPX <sup>3</sup> 160 HP	DPX <sup>3</sup> 250 HP	DPX <sup>3</sup> 630	DPX <sup>3</sup> 1600
Number of poles	3 P	•	•	•	•	•
	4 P	•	•	•	•	•
	3 P + N/2	-	-	-	•	•
Version	Fixed	•	•	•	•	•
	Plug-in	-	-	•	•	-
	Draw-out	-	-	•	•	•
Protection	Thermal-magnetic	•	•	•	•	•
	S1 electronic	-	-	•	•	•
	S10 electronic	-	-	•	•	•
	Residual current protection	integrated	integrated	integrated	Add-on module	Add-on module
	Magnetic-only	-	-	•	•	•
Integrated measurement		-	-	•(1)	•(1)	•(1)

5

(1) With S10 version

## POSSIBLE SETTINGS

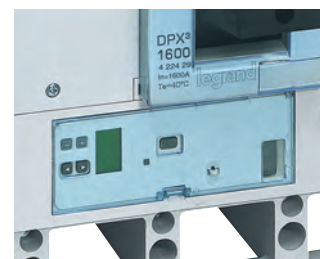
THE CHOICE BETWEEN THE DIFFERENT TYPES OF PROTECTION IS MADE MAINLY ON THE BASIS OF PERFORMANCE AND THE DESIRED LEVEL OF SELECTIVITY.



Thermal-magnetic version - thumbwheel settings<sup>(2)</sup>



S1 electronic version - thumbwheel settings<sup>(2)</sup>



S10 electronic version with LCD screen<sup>(2)</sup>

(2) The photos correspond to a DPX<sup>3</sup> 1600 MCCB. The position of the settings on the front face may vary according to the size of the circuit breaker.

## OPTIMISED INTEGRATION

The dimensions of 4P DPX<sup>3</sup> 125 HP, 160 HP or 250 HP circuit breakers with or without integrated residual current protection are exactly the same (within the same family), which saves a significant amount of space in enclosures and gives the ability to upgrade the installation from a standard version to a version with integrated residual current protection without changing the wiring or fixing plates.



4P DPX<sup>3</sup> 250 HP circuit breakers without residual current protection



4P DPX<sup>3</sup> 250 HP circuit breakers with residual current protection



# Electronic protection configurable to your requirements

6

Electronic DPX<sup>3</sup> circuit breakers equipped with S10 protection units are fully configurable. They can be used to adapt settings as closely as possible to the requirements of your installation, either by enabling/disabling the different protection devices (tripping time delays and currents), or by altering the different trip thresholds. The tripping curve is therefore fully customised to suit the real-life conditions of each project.



## INTERNAL BATTERY

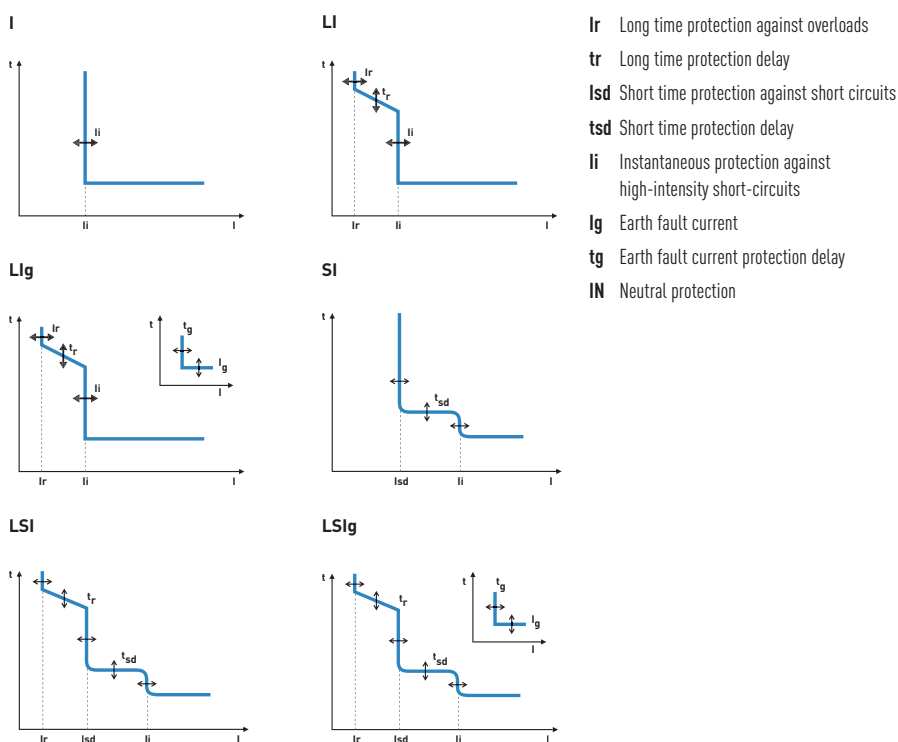
Thanks to the internal battery, the protection unit can be set even if the circuit breaker is de-energised. Tests and troubleshooting can be done directly via the circuit breaker LCD screens.





## CUSTOMISABLE SETTINGS

A single circuit breaker can operate according to different tripping curves depending on the settings.



## TWO OPTIONS FOR CONFIGURING SETTINGS

Locally on the circuit breaker or on a PC, smartphone or tablet.

Settings	DPX <sup>3</sup> 250 HP, DPX <sup>3</sup> 630 and DPX <sup>3</sup> 1600 with S10 electronic protection	
	Local on the device	Via the software or app
Ir	0.2 to 1 x In, in steps of 1 A	0.2 to 1 x In - OFF, in steps of 1 A
td	DPX <sup>3</sup> 250 HP: 3 - 5 - 10 - 15 s DPX <sup>3</sup> 630 and 1600: 3 to 30 s (7 steps)	DPX <sup>3</sup> 250 HP: 3 to 15 s, in steps of 40 ms DPX <sup>3</sup> 630 and 1600: 3 to 30 s, in steps of 40 ms
Isd	1.5 to 3 x Ir, in steps of 0.5 x Ir 3 to 10 x Ir, in steps of Ir	1.5 x Ir to 10 x In - OFF, in steps of 1 A
tsd [t=k, I2t=k]	40 to 480 ms (7 steps)	40 to 480 ms, in steps of 40 ms
li [t=k]	-	2 to 15 x In - OFF, in steps of 1 A
lg	0.2 to 1 x In, in steps of 0.1 x In	0.2 to 1 x In - OFF, in steps of 0.1 x In
tg [t=k, I2t=k]	80 to 480 ms and 1 s (6 steps)	80 ms to 1 s, in steps of 40 ms



DPX3

# Electronic protection configurable to your requirements (continued)

8



## CONFIGURING SETTINGS VIA THE SOFTWARE OR THE APPS

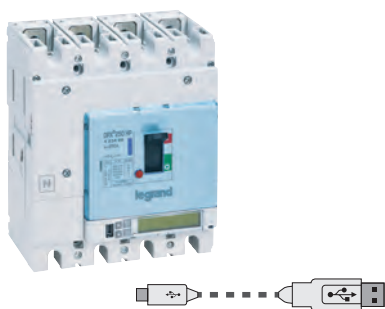
There are several ways to configure the various settings: directly on the protection units (using the +/- and >/< buttons on the front face), on a PC with Power Control Station software installed, or on a tablet or smartphone via the EnerUp+ Project app. Power Control Station software for PC and the EnerUp+ Project app for smartphone/tablet can be used to exchange data with the DPX<sup>3</sup> S10 protection unit.

- The software and app can be used to:
- monitor the status of the circuit breaker
  - display information (firmware and device versions, alarms, measurements, parameters, fault log, settings)
  - configure the different protection devices<sup>(1)</sup>
  - update the protection unit firmware<sup>(2)</sup>
  - generate reports based on the data stored and read by the protection unit<sup>(1)</sup>
  - run diagnostic tests

- upload data linked to your profile and installation to the Cloud (with the EnerUp + Project app only)

(1) With the Power Control Station software only  
(2) For Legrand technical support via the Power Control Station software only

### CONFIGURATION ON A PC



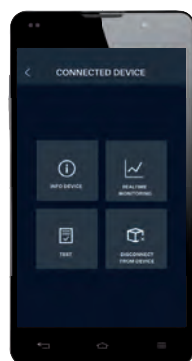
#### Start menu

Displays the I1, I2, I3, IN and Ig values, circuit breaker type and status, breaking capacity, number of poles, neutral position (right/left), temperature and trip threshold in the event of overheating.

#### Configuration menu

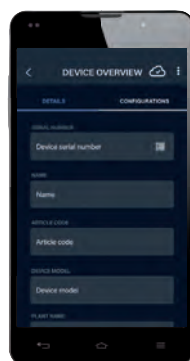
For setting the various circuit breaker parameters according to the required tripping curves (time/current and earth fault current).

### CONTROL VIA A SMARTPHONE OR TABLET



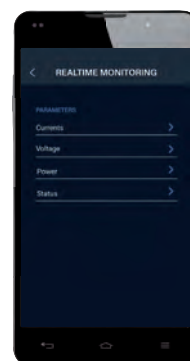
#### Start menu

For accessing the various options: overview of connected devices, real-time installation monitoring, device tests, etc.



#### Device overview menu

Displays the key device information: name, catalogue number, serial number, location, status and parameters.



#### Real-time monitoring menu

Displays the current, voltage and power values and the circuit breaker status.

EnerUp + Project app available from the App Store and Google Play



DPX<sup>3</sup>

# Integrated measurement and optimum continuity of service

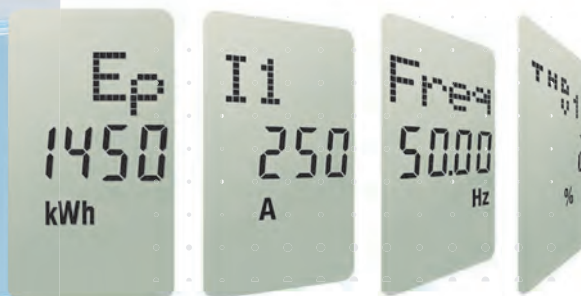
10

With electronic DPX<sup>3</sup> 250 HP, 630 and 1600 S10 with integrated measurement, it is very easy to monitor the parameters and consumption of the different circuits in the installation.

Electronic DPX<sup>3</sup> circuit breakers equipped with S10 protection units with integrated measurement can be used to display the current, voltage, active and reactive power, frequency and power factor values, as well as the energy consumption. Alarms can be programmed on some parameters, including minimum and maximum voltage, phase unbalance, and minimum and maximum frequency.

- The measured values are displayed directly on the LCD screen on the front of the equipment.
- The measurement data can also be displayed on a PC equipped with Power Control Station software or remotely on a smartphone or tablet via the EnerUp+ Project app.

FUNCTIONS TO MAKE USE EASIER



Currents, voltages, frequency, power, energy, THD.  
Integrated measurement is available on the DPX<sup>3</sup> 250 HP, 630 and 1600 MCCBs.





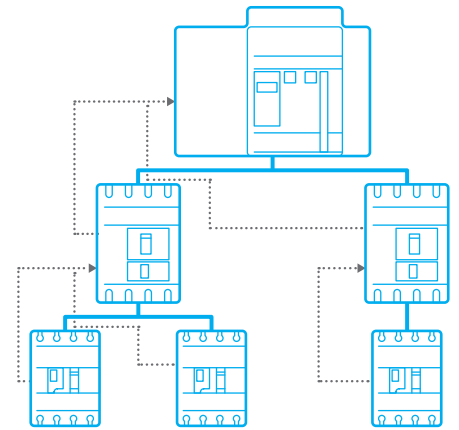


**Guaranteeing continuity of service, selectivity between Legrand circuit breakers is optimal thanks to the improved performance of DPX<sup>3</sup> devices.**

In critical configurations, the dynamic selectivity and logical selectivity offered by the protection units in electronic DPX<sup>3</sup> circuit breakers provide total continuity of service in any situation.

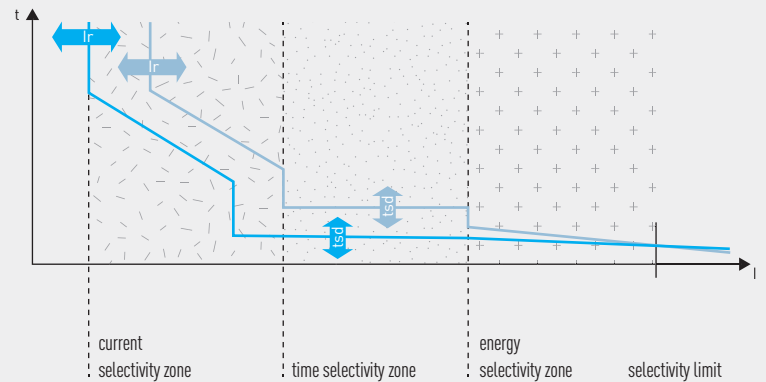
### LOGICAL SELECTIVITY

This is “smart” selectivity obtained via communication between electronic DPX<sup>3</sup> (and/or DMX<sup>3</sup>) circuit breakers interconnected by an external wired connection. It can be used to obtain total selectivity on several levels and reduce the thermal and electrodynamic stresses on the cables or the bars, thus optimising the installation.



### CURRENT SELECTIVITY AND TIME SELECTIVITY

The accurate settings of electronic DPX<sup>3</sup> MCCBs ensures optimum current and time selectivity.



DPX<sup>3</sup>

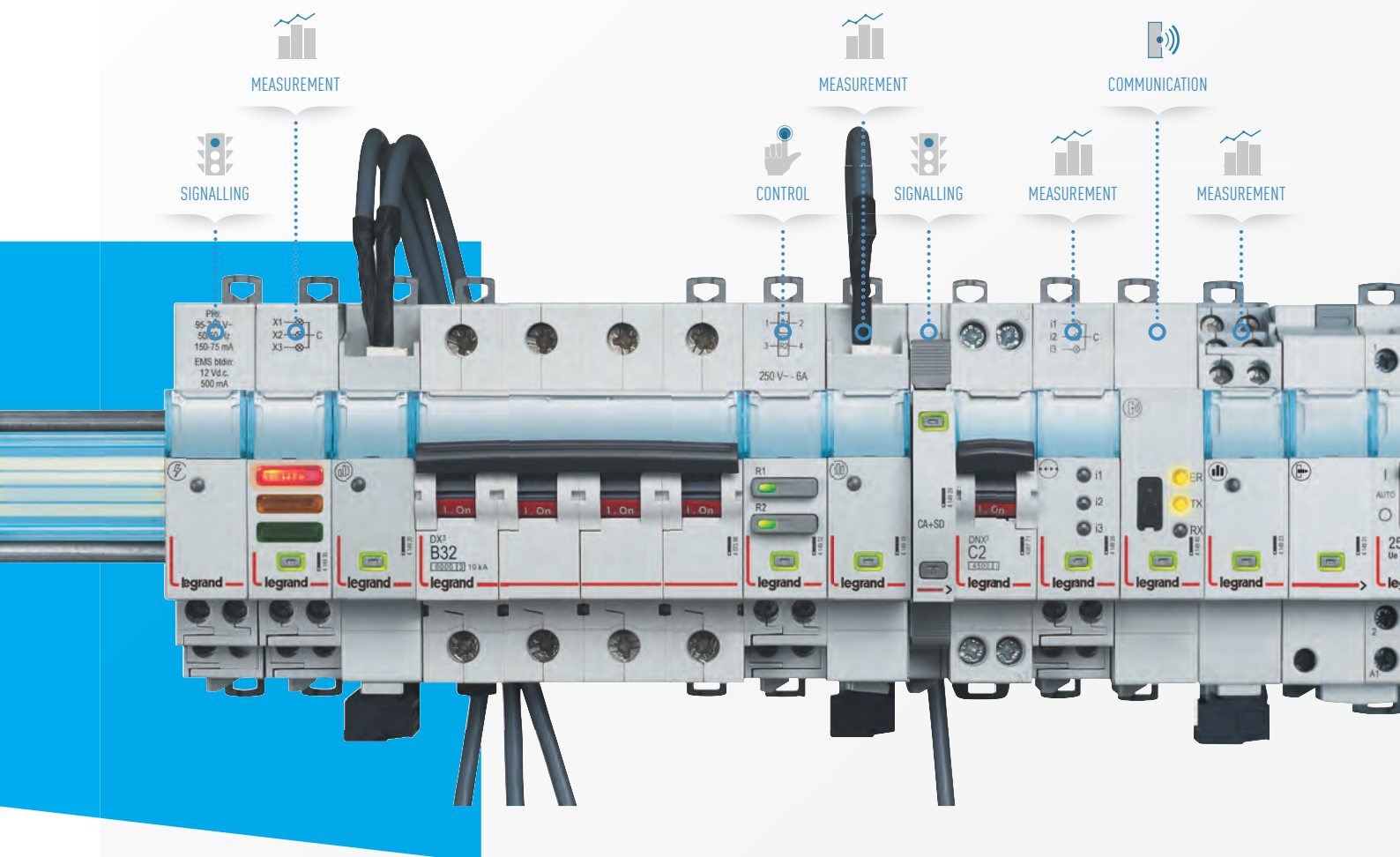
# CX<sup>3</sup> EMS, a universal, innovative system for energy management

12

The CX<sup>3</sup> EMS energy management system is used to supervise and manage a building's energy consumption, ensuring reliability and continuity of service, for optimum installation efficiency. It offers the option of viewing, measuring and controlling the

installation remotely and/or locally. Thanks to the innovative automatic connection process, this autonomous and fully integrated system simplifies mounting and does not require changes to the existing distribution boards wiring.

The CX<sup>3</sup> EMS system consists of modules to be mounted on a DIN rail. There is no minimum number of modules and it can also be used to perform very basic supervision tasks. Thanks to its scalability, new functions can be added at any time to suit the needs of the installation.

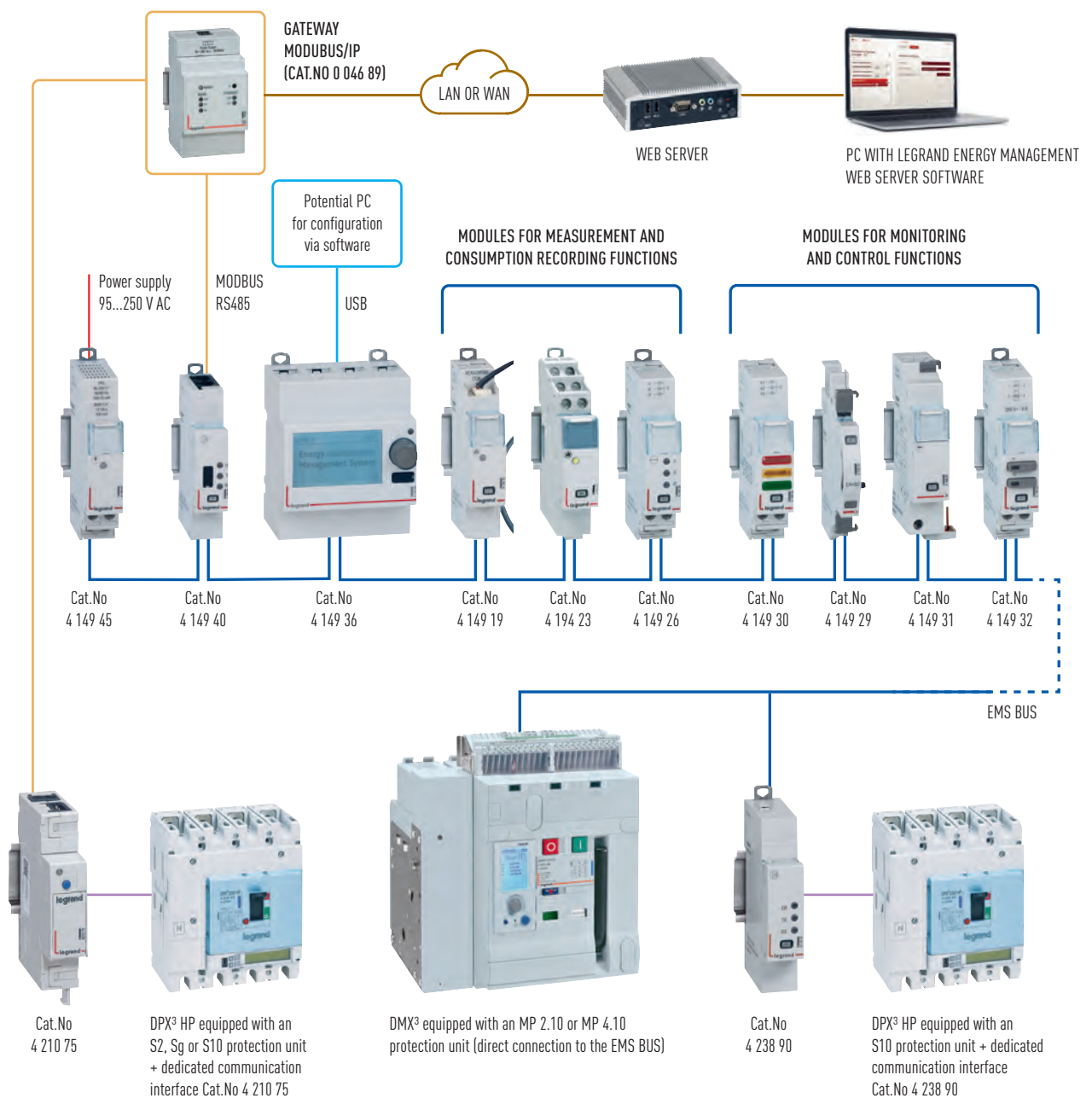




## SCHEMATIC DIAGRAM

CX<sup>3</sup> EMS modules are compatible with all Legrand protection devices, from the simple DIN rail mounting circuit breaker, to DPX<sup>3</sup> MCCBs or DMX<sup>3</sup> ACBs.

For DPX<sup>3</sup> and DMX<sup>3</sup> devices equipped with protection units with integrated measurement, the measured values are automatically fed back to the Legrand Energy Management Web Server software.



DPX<sup>3</sup>

# Control and signalling auxiliaries that are easy to install and wire up

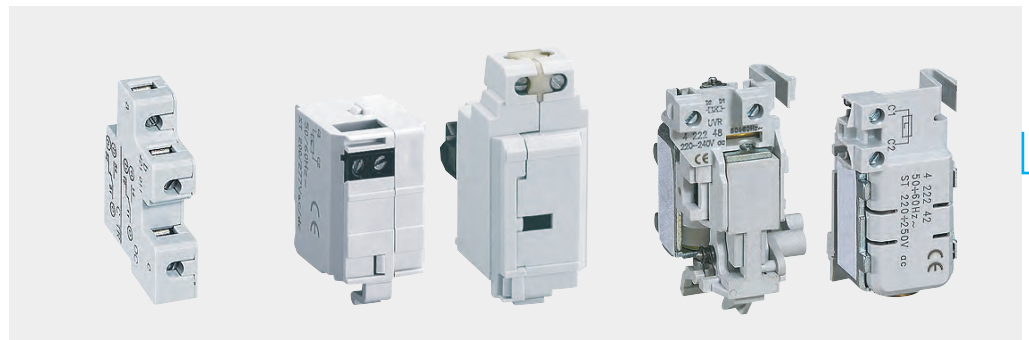
14

SAFETY, SIMPLICITY  
AND SPEED OF  
INSTALLATION





To provide emergency breaking, automatic or remote control, and feedback on the status of the device, all the DPX<sup>3</sup> circuit breakers can very easily be fitted with a comprehensive range of electrical auxiliaries.



AUXILIARY CONTACTS or fault signal common to all DPX<sup>3</sup> devices

SHUNT RELEASES and undervoltage releases for DPX<sup>3</sup> 125 HP and 250 HP

SHUNT RELEASES and undervoltage releases for DPX<sup>3</sup> 630 and 1600

### NUMBER OF AUXILIARIES THAT CAN BE INSTALLED PER DEVICE

	Auxiliary contacts	Fault signals	Releases
DPX <sup>3</sup> 125 HP	1	1	1
DPX <sup>3</sup> 160 HP	1	1	1
DPX <sup>3</sup> 250 HP	1	1	1
DPX <sup>3</sup> 630	2	2	1
DPX <sup>3</sup> 1600	3	1	1

DPX<sup>3</sup> MCCBs offer different options for outgoing connection wires.



The auxiliaries are installed in dedicated slots under the front panel.

DPX<sup>3</sup>

# Supply inversion and motor operators from 16 to 1600 A

16

The interlocking device for DPX<sup>3</sup> HP greatly simplifies the installation of a supply inverter: It consists of a plate and a mechanical interlocking device.

SAFETY, SIMPLICITY  
AND SPEED OF  
INSTALLATION



The mechanical interlocking device is fitted between two DPX<sup>3</sup> HP circuit breakers of the same size. It is also available in a version with an electronic module.



### DPX<sup>3</sup> HP - FIXED VERSION

The circuit breakers and interlocking device are fixed to the plate with just a few screws.



### DPX<sup>3</sup> HP - PLUG-IN AND DRAW-OUT VERSION

For supply inverters consisting of DPX<sup>3</sup> HP circuit breakers in a plug-in or draw-out version, the plate is fitted with an interlocking device located on the back.



### MOTOR OPERATORS

Motor operators for DPX<sup>3</sup> HP 250, DPX<sup>3</sup> 630 and 1600 are available in a front version. They take different supply voltages from 24 to 230 V, both DC and AC.



DPX<sup>3</sup> 250 HP equipped with a front installation motor operator



# Connection accessories for multiple configurations

18

Connection plates, cage terminals, spreader strips, rear terminals, etc.

DPX<sup>3</sup> 125, 160, 250 HP and DPX<sup>3</sup> 630 and 1600 have all the accessories needed for upstream and downstream connection using cables or bars in a multitude of configurations.



## CAGE TERMINALS

High-capacity cage terminals can be used for connection with large cross-section copper or aluminium cables.

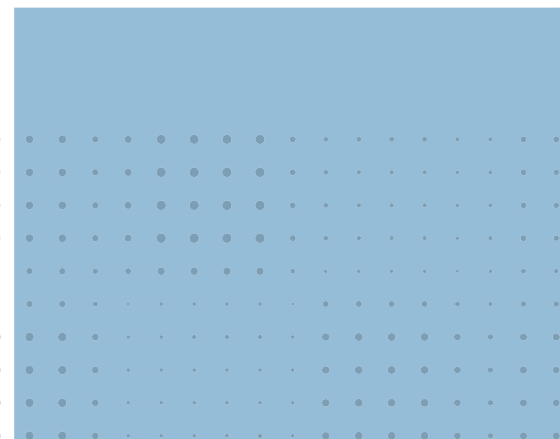


## SPREADERS

These can be used for connection with large cross-section cables.



SAFETY,  
SIMPLICITY  
AND SPEED OF  
INSTALLATION



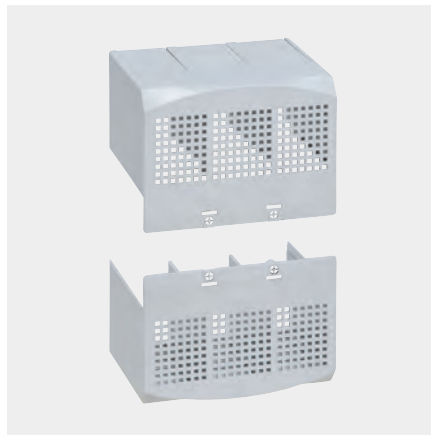
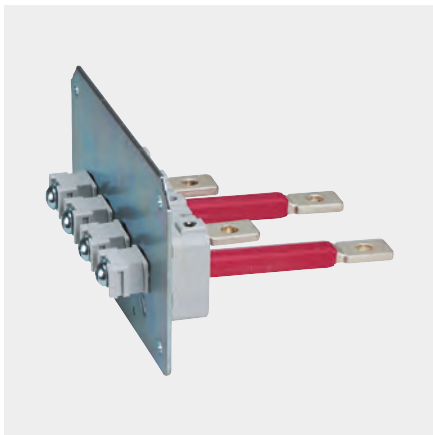


### FLAT REAR TERMINALS

These can be turned horizontally or vertically.

### TERMINAL COVERS

These provide IP 2X protection for the connections.



Connection accessories	Cage terminals		Connection extensions	Adaptors for lugs	Spreaders	Rear terminals
	standard capacity	high capacity				
DPX <sup>3</sup> 125 HP	•	•			•	•
DPX <sup>3</sup> 160 HP	•	•			•	•
DPX <sup>3</sup> 250 HP	•				•	•
DPX <sup>3</sup> 630	•	•	•	•	•	•
DPX <sup>3</sup> 1600	•	•	•		•	•



DPX<sup>3</sup>

# Plug-in or draw-out versions for perfect continuity of service

20

Plug-in and draw-out versions can be used to replace a faulty device in just a few minutes without cutting off the power to the other circuits. They are available for DPX<sup>3</sup> 250 HP and DPX<sup>3</sup> 630 and 1600 circuit breakers.

Bases for plug-in and draw-out devices offer the same connection options as fixed circuit breakers.

SAFETY,  
SIMPLICITY  
AND SPEED OF  
INSTALLATION





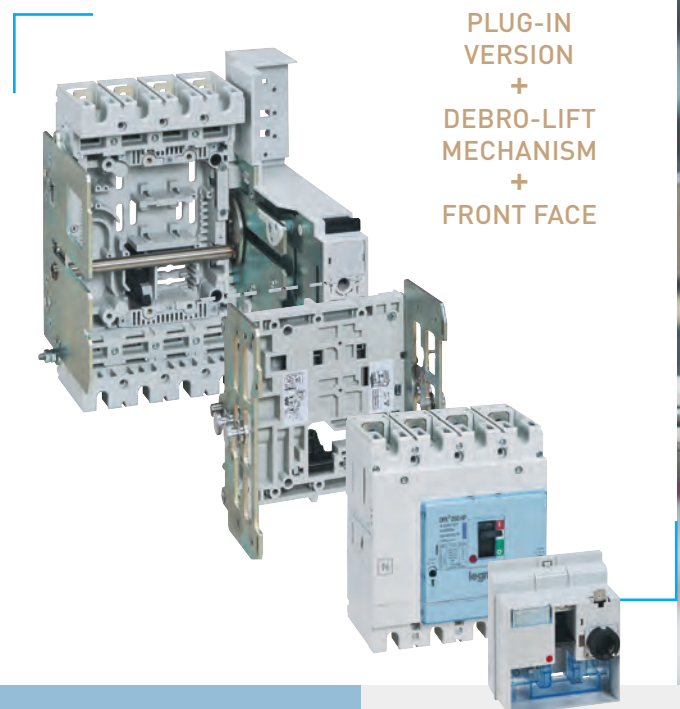
### PLUG-IN VERSION

To transform a DPX<sup>3</sup> 250 HP fixed version to a plug-in version, you simply need to equip it with a mobile kit (fixed to the back of the device) and a base for a plug-in version (which is installed in the board).



### DRAW-OUT VERSION

A draw-out version of the DPX<sup>3</sup> 250 HP is obtained from a plug-in version equipped with a Debro-lift mechanism and a dedicated front face.



### LOCKING

The locking accessory **1** is used to lock the circuit breaker in the "drawn-out" position during maintenance operations. It can be fitted with different models of key barrel. Also available as a padlockable version **2**.



# XL PRO<sup>3</sup> software makes configuring your enclosures simplicity itself

22

XL PRO<sup>3</sup> covers the entire  
Legrand power offer,  
including the new DPX<sup>3</sup> HPs.

More than ever, this software  
is a must-have when designing  
your distribution boards:

- guide to choosing products  
and accessories
- view of the enclosure  
and component layout
- automatic creation of the costing  
and ordering file

SAFETY,  
SIMPLICITY  
AND SPEED OF  
INSTALLATION

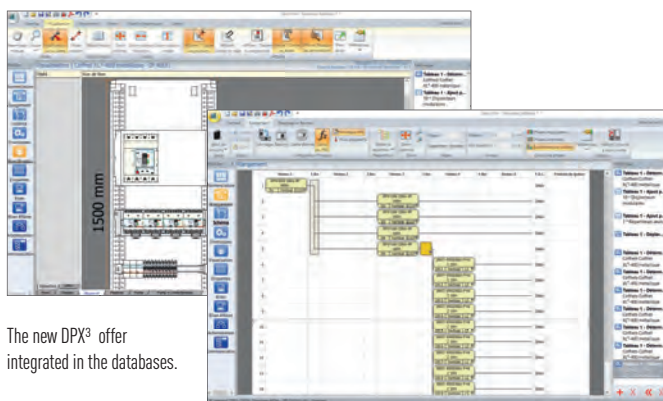




## THE IDEAL TOOL FOR MAKING THE DESIGN CALCULATIONS FOR AN ELECTRICAL INSTALLATION

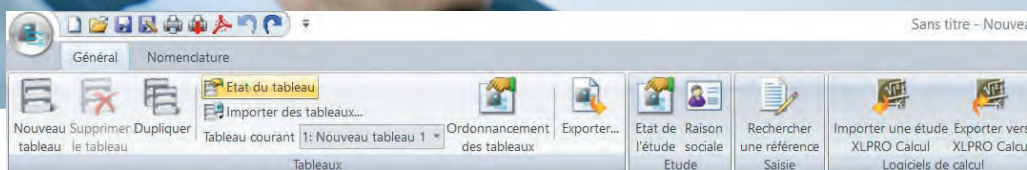
XL PRO<sup>3</sup> Calcul can be used to draw single line diagrams, create design calculations and the power analysis, and to calculate the necessary protections with their settings. It interfaces perfectly with XL PRO<sup>3</sup>.

To order the software, please contact your Legrand sales office. Lifetime updates are available from [www.export.legrand.com](http://www.export.legrand.com).



The new DPX<sup>3</sup> offer integrated in the databases.

HX<sup>3</sup> and VX<sup>3</sup> distribution managed directly in the Arrangement, Circuit diagram and Parts list modules.



A redesigned interface for more intuitive use.

# DPX<sup>3</sup> MCCBs from 16 to 250 A

fixing on rail or on plate

DEVICES	DPX <sup>3</sup> 160 thermal magnetic				DPX <sup>3</sup> 250 thermal magnetic			DPX <sup>3</sup> 250 electronic release						
Mounting	On rail  or on plate				On rail  or on plate			On rail  or on plate						
Breaking capacity (kA) (EN 60947-2 and IEC 60947-2)	16 kA	25 kA	36 kA	50 kA	25 kA	36 kA	50 kA	25 kA	36 kA	50 kA				
380/415 V~	16	25	36	50	25	36	50	25	36	50				
220/240 V~	25	35	50	65	40	60	100	40	60	100				
Breaking capacity (% Icu)	100	100	100	100	100	100	100	100	100	100				
Characteristic of use														
Nominal frequency	50/60 Hz													
Maximum rated operating voltage Ue	690 V (500 V with integrated e.l.c.bs)				690 V (500 V with integrated e.l.c.bs)			690 V (500 V with integrated e.l.c.bs)						
Category of use	A				A			A						
Thermal magnetic adjustment														
	Thermal	0.8 to 1 I <sub>n</sub>				0.8 to 1 I <sub>n</sub>			-					
	Magnetic	10 I <sub>n</sub> (400 A for 16 A and 25 A sizes)				5 to 10 I <sub>n</sub>			-					
Electronic protection adjustment														
	S2													
	Sg								I <sub>r</sub> : 0.4 to 1 I <sub>n</sub> I <sub>sd</sub> : 1.5 to 10 I <sub>r</sub>					
Maximum cable cross-section														
Rigid cable	150 mm <sup>2</sup>				150 mm <sup>2</sup>			150 mm <sup>2</sup>						
Flexible cable	120 mm <sup>2</sup>				120 mm <sup>2</sup>			120 mm <sup>2</sup>						
Copper bar and lug width	18 mm				28.5 mm <sup>(1)</sup>			28.5 mm <sup>(1)</sup>						
Tightening torque	8 Nm				10 Nm			10 Nm						
Nominal current (I <sub>n</sub> ) at 40 °C (A)														
I <sub>n</sub> (A)	16	25	40	63	80	100	125	160	100	160	200	40	100	160
Phase	16	25	40	63	80	100	125	160	100	160	200	40	100	160
N	16	25	40	63	80	100	125	160	100	160	200	40	100	160
N/2	-	-	-	-	-	-	-	-	-	-	-	-	-	-
Magnetic threshold (I <sub>m</sub> ) (A) <sup>(2)</sup> of DPX <sup>3</sup> thermal magnetic														
I <sub>m</sub> (A)	Fixed				Adjustable			Adjustable						
	16	25	40	63	80	100	125	160	100	160	200	-		
	400	400	400	630	800	1000	1250	1600	500-1000	800-1600	1000-2000	-		
	400	400	400	630	800	1000	1250	1600	500-1000	800-1600	1000-2000	-		
N/2	-	-	-	-	-	-	-	-	-	-	-	-		
Endurance (cycles)														
Electrical	8000				8000			8000						
Mechanical	25000				20000			20000						
Electronic earth leakage module														
Type	without or integrated				without or integrated			without or integrated						

1: Copper bars only

2: Trip current for 50/60 Hz. For direct current, multiply by 1.5

# DPX<sup>3</sup> 160

thermal magnetic release MCCBs from 16 to 160 A - fixing on rail or on plate



4 200 00

4 200 10

4 200 37

4 201 57

Dimensions **p. 56**  
 Electrical characteristics **p. 57**

Can be mounted on rail 2 or on plate in XL<sup>3</sup> cabinets and enclosures  
 MCCBs for switching, control isolation and protection of low voltage electrical lines  
 Supplied with fixing screws cage terminals 70 mm<sup>2</sup> max. (flexible cable) or 95 mm<sup>2</sup> max. rigid cable with accessories  
 Can be fitted with DPX<sup>3</sup> 160 and 250 common auxiliaries and accessories (p. 31)  
 Conform to IEC 60947-2

Pack	Cat.Nos		
			<b>MCCBs thermal magnetic release - fixed version</b>
			Thermal adjustable from 0.8 to 1 In Magnetic fixed at 10 In (fixed at 400 A for In 16 A and 25 A)
			<b>Breaking capacity Icu 16 kA (400 V~)</b>
		In (A)	
	3P	4P	
1	4 200 00	4 200 10	16
1	4 200 01	4 200 11	25
1	4 200 02	4 200 12	40
1	4 200 03	4 200 13	63
1	4 200 04	4 200 14	80
1	4 200 05	4 200 15	100
1	4 200 06	4 200 16	125
1	4 200 07	4 200 17	160
			<b>Breaking capacity Icu 25 kA (400 V~)</b>
1	4 200 40	4 200 50	16
1	4 200 41	4 200 51	25
1	4 200 42	4 200 52	40
1	4 200 43	4 200 53	63
1	4 200 44	4 200 54	80
1	4 200 45	4 200 55	100
1	4 200 46	4 200 56	125
1	4 200 47	4 200 57	160
			<b>Breaking capacity Icu 36 kA (400 V~)</b>
1	4 200 80	4 200 90	16
1	4 200 81	4 200 91	25
1	4 200 82	4 200 92	40
1	4 200 83	4 200 93	63
1	4 200 84	4 200 94	80
1	4 200 85	4 200 95	100
1	4 200 86	4 200 96	125
1	4 200 87	4 200 97	160
			<b>Breaking capacity Icu 50 kA (400 V~)</b>
1	4 201 20	4 201 30	16
1	4 201 21	4 201 31	25
1	4 201 22	4 201 32	40
1	4 201 23	4 201 33	63
1	4 201 24	4 201 34	80
1	4 201 25	4 201 35	100
1	4 201 26	4 201 36	125
1	4 201 27	4 201 37	160

Pack	Cat.Nos	
		<b>MCCBs thermal magnetic release with electronic earth leakage module - fixed version</b>
		Thermal adjustable from 0.8 to 1 In Magnetic fixed at 10 In (fixed at 400 A for In 16 A and 25 A)
		Equipped with earth leakage module with LCD screen Adjustable sensitivity: 0.03 - 0.3 - 1 - 3 A Adjustable tripping: 0 - 0.3 - 1 - 3s (with 0.03 A possible only 0 s)
		<b>Breaking capacity Icu 16 kA (400 V~)</b>
		In (A)
	4P	
1	4 200 30	16
1	4 200 31	25
1	4 200 32	40
1	4 200 33	63
1	4 200 34	80
1	4 200 35	100
1	4 200 36	125
1	4 200 37	160
		<b>Breaking capacity Icu 25 kA (400 V~)</b>
1	4 200 70	16
1	4 200 71	25
1	4 200 72	40
1	4 200 73	63
1	4 200 74	80
1	4 200 75	100
1	4 200 76	125
1	4 200 77	160
		<b>Breaking capacity Icu 36 kA (400 V~)</b>
1	4 201 10	16
1	4 201 11	25
1	4 201 12	40
1	4 201 13	63
1	4 201 14	80
1	4 201 15	100
1	4 201 16	125
1	4 201 17	160
		<b>Breaking capacity Icu 50 kA (400 V~)</b>
1	4 201 50	16
1	4 201 51	25
1	4 201 52	40
1	4 201 53	63
1	4 201 54	80
1	4 201 55	100
1	4 201 56	125
1	4 201 57	160





4 210 55

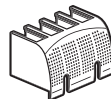


4 210 71



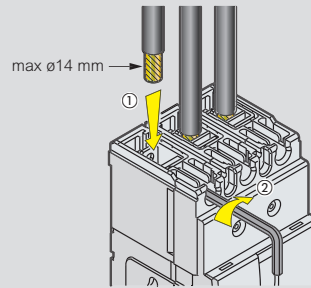
4 210 68

Pack	Cat.Nos	Connection accessories
1	4 210 26	<b>High capacity cage terminals</b> For Cu/Al cables, 1 x 120 mm <sup>2</sup> for flexible cables and 1 x 150 mm <sup>2</sup> for rigid cable and 18 mm bars Set of 3 terminals
1	4 210 27	Set of 4 terminals
1	4 210 93	<b>Cage terminals</b> For Cu cables, 1 x 70 mm <sup>2</sup> for flexible cables and 1 x 95 mm <sup>2</sup> for rigid cables and 14 mm bars Set of 3 terminals
1	4 210 94	Set of 4 terminals
1	4 210 70	<b>Insulated shields (phase barriers)</b> Set of 36 insulated shields
1	4 210 28	<b>Screw terminals for bars connection</b> For copper bars Set of 3 terminals
1	4 210 29	Set of 4 terminals
1	4 210 32	<b>Spreaders</b> For incoming bars or cable lugs Set of 3 spreaders for DPX <sup>3</sup> 160 3P
1	4 210 33	Set of 4 spreaders for DPX <sup>3</sup> 160 4P
1	4 210 54	<b>Sealable terminal shields</b> For front terminals
1	4 210 55	For DPX <sup>3</sup> 160 3P
1	4 210 71	<b>Fixing plates</b> For fixing DPX <sup>3</sup> 160 on $\perp$ rail or on plate
1	4 210 73	For DPX <sup>3</sup> 160 3P/4P without earth leakage module
1	4 210 68	For DPX <sup>3</sup> 160 4P with earth leakage module
1	4 210 68	For DPX <sup>3</sup> 160 3P/4P with side mounting motor operator

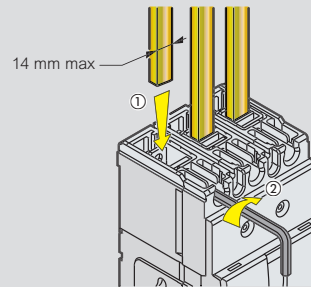


## Connection

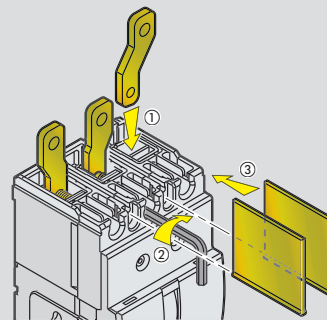
### Direct connection



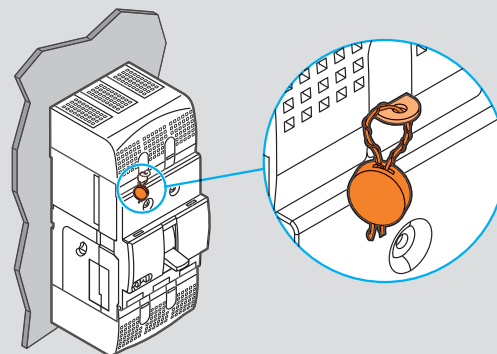
<b>Flexible</b>	1,5 → 70 mm <sup>2</sup>	
	#16 → #2/0 AWG	
or		
<b>Solid</b>	1,5 → 95 mm <sup>2</sup>	
	#16 → #4/0 AWG	



### Spreaders



### Sealable terminal shield



# DPX<sup>3</sup> 250

thermal magnetic release MCCBs from 100 to 250 A - fixing on rail or on plate



4 202 05



4 202 25

Dimensions **p. 56**  
 Electrical characteristics **p. 57**

Can be mounted on rail or on plate in XL<sup>3</sup> cabinets and enclosures  
 MCCBs for switching, control isolation and protection of low voltage electrical lines  
 Supplied with fixing screws, connection plates for bars and cable lugs and insulated shileds (phase barriers)  
 Can be fitted with cage terminals 120 mm<sup>2</sup> max. (flexible cable) or 150 mm<sup>2</sup> max. rigid cable (p. 30)  
 and with DPX<sup>3</sup> 160 and 250 common auxiliaries and accessories (p. 31)  
 Conform to IEC 60947-2

Pack	Cat.Nos		MCCBs thermal magnetic release - fixed version
			<b>Breaking capacity Icu 25 kA (400 V~)</b>
			In (A)
1	3P 4 202 05	4P 4 202 15	100
1	4 202 07	4 202 17	160
1	4 202 08	4 202 18	200
1	4 202 09	4 202 19	250
			<b>Breaking capacity Icu 36 kA (400 V~)</b>
1	4 202 35	4 202 45	100
1	4 202 37	4 202 47	160
1	4 202 38	4 202 48	200
1	4 202 39	4 202 49	250
			<b>Breaking capacity Icu 50 kA (400 V~)</b>
1	4 202 65	4 202 75	100
1	4 202 67	4 202 77	160
1	4 202 68	4 202 78	200
1	4 202 69	4 202 79	250

Pack	Cat.Nos	MCCBs thermal magnetic release with electronic earth leakage module - fixed version
		<b>Breaking capacity Icu 25 kA (400 V~)</b>
		In (A)
1	4P 4 202 25	100
1	4 202 27	160
1	4 202 28	200
1	4 202 29	250
		<b>Breaking capacity Icu 36 kA (400 V~)</b>
1	4 202 55	100
1	4 202 57	160
1	4 202 58	200
1	4 202 59	250
		<b>Breaking capacity Icu 50 kA (400 V~)</b>
1	4 202 85	100
1	4 202 87	160
1	4 202 88	200
1	4 202 89	250

DPX<sup>3</sup> I trip-free switches  
**p. 52**

DPX<sup>3</sup> magnetic release only MCCBs  
**p. 52-53**

## DPX<sup>3</sup> 250

S2 electronic release MCCBs from 40 to 250 A - fixing on rail or on plate



4 203 69



4 203 25

Dimensions **p. 56**  
 Electrical characteristics **p. 57**

Can be mounted on rail or on plate in XL<sup>3</sup> cabinets and enclosures  
 MCCBs for switching, control isolation and protection of low voltage electrical lines  
 Supplied with fixing screws, connection plates for bars and cable lugs and insulated shields (phase barriers)  
 Can be fitted with cage terminals 120 mm<sup>2</sup> max. (flexible cable) or 150 mm<sup>2</sup> max. rigid cable (p. 30)  
 and with DPX<sup>3</sup> 160 and 250 common auxiliaries and accessories (p. 31)  
 Conform to IEC 60947-2

Pack	Cat.Nos		
			<b>MCCBs S2 electronic release - fixed version</b>
			Protection against overloads: I <sub>r</sub> adjustable from 0.4 to 1 x I <sub>n</sub> t <sub>r</sub> adjustable from 3 to 15s Protection against short circuits: I <sub>sd</sub> adjustable from 1.5 to 10 x I <sub>r</sub> t <sub>sd</sub> adjustable from 0 to 0.5s
			<b>Breaking capacity I<sub>cu</sub> 25 kA (400 V<sub>~</sub>)</b>
	3P	4P	I <sub>n</sub> (A)
1	4 203 02	4 203 12	40
1	4 203 05	4 203 15	100
1	4 203 07	4 203 17	160
1	4 203 09	4 203 19	250
			<b>Breaking capacity I<sub>cu</sub> 36 kA (400 V<sub>~</sub>)</b>
1	4 203 32	4 203 42	40
1	4 203 35	4 203 45	100
1	4 203 37	4 203 47	160
1	4 203 39	4 203 49	250
			<b>Breaking capacity I<sub>cu</sub> 50 kA (400 V<sub>~</sub>)</b>
1	4 203 62	4 203 72	40
1	4 203 65	4 203 75	100
1	4 203 67	4 203 77	160
1	4 203 69	4 203 79	250

Pack	Cat.Nos	
		<b>MCCBs S2 electronic release with electronic earth leakage module - fixed version</b>
		Protection against overloads: I <sub>r</sub> adjustable from 0.4 to 1 x I <sub>n</sub> t <sub>r</sub> adjustable from 3 to 15s Protection against short circuits: I <sub>sd</sub> adjustable from 1.5 to 10 x I <sub>r</sub> t <sub>sd</sub> adjustable from 0 to 0.5s Equipped with earth leakage module with LCD screen Adjustable sensitivity: 0.03 - 0.3 - 1 - 3 A Adjustable tripping: 0 - 0.3 - 1 - 3s (with 0.03 A possible only 0s)
		<b>Breaking capacity I<sub>cu</sub> 25 kA (400 V<sub>~</sub>)</b>
	4P	I <sub>n</sub> (A)
1	4 203 22	40
1	4 203 25	100
1	4 203 27	160
1	4 203 29	250
		<b>Breaking capacity I<sub>cu</sub> 36 kA (400 V<sub>~</sub>)</b>
1	4 203 52	40
1	4 203 55	100
1	4 203 57	160
1	4 203 59	250
		<b>Breaking capacity I<sub>cu</sub> 50 kA (400 V<sub>~</sub>)</b>
1	4 203 82	40
1	4 203 85	100
1	4 203 87	160
1	4 203 89	250



# DPX<sup>3</sup> 250

## S2 electronic release MCCBs from 40 to 250 A - fixing on rail or on plate (continued)



Dimensions **p. 56**  
 Electrical characteristics **p. 57**

Can be mounted on rail or on plate in XL<sup>3</sup> cabinets and enclosures  
 MCCBs for switching, control isolation and protection of low voltage electrical lines  
 Supplied with fixing screws, connection plates for bars and cable lugs and insulated shileds (phase barriers)  
 Can be fitted with cage terminals 120 mm<sup>2</sup> max. (flexible cable) or 150 mm<sup>2</sup> max. rigid cable (p. 30)  
 and with DPX<sup>3</sup> 160 and 250 common auxiliaries and accessories (p. 31)  
 Conform to IEC 60947-2

Pack	Cat.Nos		
			<b>MCCBs S2 electronic release with energy metering central unit - fixed version</b>
			Protection against overloads: Ir adjustable from 0.4 to 1 x In tr adjustable from 3 to 15s Protection against short circuits: Isd adjustable from 1.5 to 10 x Ir tsd adjustable from 0 to 0.5s Integrated energy metering central unit with LCD screen; currents, voltage, frequency, power, energy and harmonics
			<b>Breaking capacity Icu 25 kA (400 V<math>\sim</math>)</b>
	3P	4P	In (A)
1	4 204 02	4 204 12	40
1	4 204 05	4 204 15	100
1	4 204 07	4 204 17	160
1	4 204 09	4 204 19	250
			<b>Breaking capacity Icu 36 kA (400 V<math>\sim</math>)</b>
1	4 204 32	4 204 42	40
1	4 204 35	4 204 45	100
1	4 204 37	4 204 47	160
1	4 204 39	4 204 49	250
			<b>Breaking capacity Icu 50 kA (400 V<math>\sim</math>)</b>
1	4 204 62	4 204 72	40
1	4 204 65	4 204 75	100
1	4 204 67	4 204 77	160
1	4 204 69	4 204 79	250

Pack	Cat.Nos	
		<b>MCCBs S2 electronic release with energy metering central unit and electronic earth leakage module - fixed version</b>
		Protection against overloads: Ir adjustable from 0.4 to 1 x In tr adjustable from 3 to 15s Protection against short circuits: Isd adjustable from 1.5 to 10 x Ir tsd adjustable from 0 to 0.5s Equipped with earth leakage module with LCD screen Adjustable sensitivity: 0.03 - 0.3 - 1 - 3 A Adjustable tripping: 0 - 0.3 - 1 - 3s (with 0.03 A possible only 0s) Integrated energy metering central unit with LCD screen; currents, voltage, frequency, power, energy and harmonics
		<b>Breaking capacity Icu 25 kA (400 V<math>\sim</math>)</b>
	4P	In (A)
1	4 204 22	40
1	4 204 25	100
1	4 204 27	160
1	4 204 29	250
		<b>Breaking capacity Icu 36 kA (400 V<math>\sim</math>)</b>
1	4 204 52	40
1	4 204 55	100
1	4 204 57	160
1	4 204 59	250
		<b>Breaking capacity Icu 50 kA (400 V<math>\sim</math>)</b>
1	4 204 82	40
1	4 204 85	100
1	4 204 87	160
1	4 204 89	250

## DPX<sup>3</sup> 250 – Sg electronic release MCCBs from 40 to 250 A - fixing on rail or on plate



4 205 49

Dimensions **p. 56**  
 Electrical characteristics **p. 57**

Can be mounted on rail or on plate in XL<sup>3</sup> cabinets and enclosures MCCBs for switching, control isolation and protection of low voltage electrical lines

Supplied with fixing screws, connection plates for bars and cable lugs and insulated shields (phase barriers)

Can be fitted with cage terminals 120 mm<sup>2</sup> max. (flexible cable) or 150 mm<sup>2</sup> max. rigid cable (p. 30) and with DPX<sup>3</sup> 160 and 250 common auxiliaries and accessories (p. 31)

Conform to IEC 60947-2

Pack	Cat.Nos		MCCBs Sg electronic release - fixed version
			Protection against overloads: I <sub>r</sub> adjustable from 0.4 to 1 x I <sub>n</sub> t <sub>r</sub> adjustable from 3 to 15s Protection against short circuits: I <sub>sd</sub> adjustable from 1.5 to 10 x I <sub>r</sub> t <sub>sd</sub> adjustable from 0 to 0.5s Protection against earth fault: I <sub>g</sub> adjustable: from 0.2 to 1 x I <sub>n</sub> and OFF position t <sub>g</sub> adjustable from 0.1 to 1s
			<b>Breaking capacity I<sub>cu</sub> 25 kA (400 V<sub>~</sub>)</b>
	3P	4P	I <sub>n</sub> (A)
1	4 205 02	4 205 12	40
1	4 205 05	4 205 15	100
1	4 205 07	4 205 17	160
1	4 205 09	4 205 19	250
			<b>Breaking capacity I<sub>cu</sub> 36 kA (400 V<sub>~</sub>)</b>
1	4 205 22	4 205 32	40
1	4 205 25	4 205 35	100
1	4 205 27	4 205 37	160
1	4 205 29	4 205 39	250
			<b>Breaking capacity I<sub>cu</sub> 50 kA (400 V<sub>~</sub>)</b>
1	4 205 42	4 205 52	40
1	4 205 45	4 205 55	100
1	4 205 47	4 205 57	160
1	4 205 49	4 205 59	250

## DPX<sup>3</sup> 250 equipment and mounting accessories



4 210 31



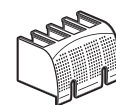
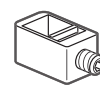
4 210 35



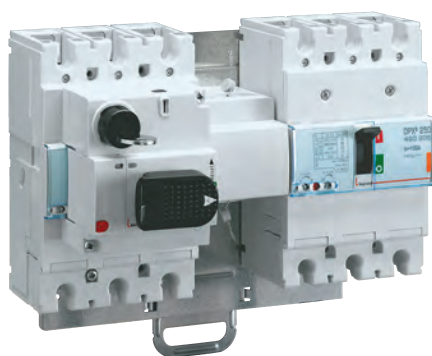
4 210 72

### Connection accessories

Pack	Cat.Nos	Connection accessories
		<b>Cage terminals</b> For Cu/Al cables, 1 x 120 mm <sup>2</sup> for flexible cables and 1 x 150 mm <sup>2</sup> for rigid cables and lugs 28,5 x 8 x 8,5 mm
1	4 210 30	Set of 3 terminals
1	4 210 31	Set of 4 terminals
		<b>Screw terminals for bar connections</b>
1	4 210 79	Set of 3 terminals
1	4 210 80	Set of 4 terminals
		<b>Insulated shields (phase barriers)</b>
1	4 210 70	Set of 36 insulated shields
		<b>Spreaders</b>
1	4 210 34	For incoming bars or cable lugs Set of 3 spreaders for DPX <sup>3</sup> 250 3P
1	4 210 35	Set of 4 spreaders for DPX <sup>3</sup> 250 4P
		<b>Sealable terminal shields</b>
		<b>For front terminals</b>
1	4 210 56	For DPX <sup>3</sup> 250 3P
1	4 210 57	For DPX <sup>3</sup> 250 4P
		<b>Fixing plates</b>
1	4 210 72	For fixing DPX <sup>3</sup> 250 on rail or on plate
1	4 210 74	For DPX <sup>3</sup> 250 3P/4P without earth leakage module
1	4 210 69	For DPX <sup>3</sup> 250 4P with earth leakage module For DPX <sup>3</sup> 250 3P/4P with side mounting motor operator



## DPX<sup>3</sup> 160 and 250 common auxiliaries and accessories



4 210 58 equipped with 2 DPX<sup>3</sup> 250 and a rotary handle Cat.No 4 210 00



4 210 00



4 210 60



4 210 10



4 210 11



4 210 16



4 210 22

Pack	Cat.Nos	Fixing plates for transfer switches
1	4 210 58	Plate for mounting and interlocking of 2 DPX <sup>3</sup> For 2 DPX <sup>3</sup> 160 or 2 DPX <sup>3</sup> 250 or 1 DPX <sup>3</sup> 160 and 1 DPX <sup>3</sup> 250 For fixed version
<b>Rotary handles</b>		
<b>Direct on DPX</b>		
1	4 210 00	Standard handle for thermal magnetic DPX <sup>3</sup> without earth leakage module
1	4 210 01	Standard handle for electronic DPX <sup>3</sup> and/or with earth leakage module
1	4 210 02	Handle for emergency use for thermal magnetic DPX <sup>3</sup> without earth leakage module
1	4 210 03	Handle for emergency use for electronic DPX <sup>3</sup> and/or with earth leakage module
<b>Vari-depth handles</b>		
For all version of DPX <sup>3</sup>		
1	4 210 04	Standard handle
1	4 210 05	Handle for emergency use
<b>Locking accessories</b>		
1	4 228 00	Key barrel and Ronis key EL43525 for direct handle
1	4 228 01	Key barrel and Ronis key EL43363 for direct handle
1	4 228 02	Key barrel and Ronis key EL43525 for vari-depth handle
1	4 228 03	Key barrel and Ronis key EL43363 for vari-depth handle
1	4 210 06	Key barrel and flat key N° ABA90GEL6149 for direct handle
1	4 210 07	Key barrel and star key N° HBA90GPS6149 for direct handle
1	4 210 08	Key barrel and flat key N° ABA90GEL6149 for vari-depth handle
1	4 210 09	Key barrel and star key N° HBA90GPS6149 for vari-depth handle
<b>Motor-driven handles</b>		
<b>Motor operators 24 to 230 V~ / =</b>		
1	4 210 60	Side motor operator
<b>Locking accessories</b>		
1	4 210 65	Key barrel and flat key N° ABA90GEL6149 for side motor operator
1	4 210 66	Key barrel and star key N° HBA90GPS6149 for side motor operator
1	4 210 67	Padlock for side motor operator

Pack	Cat.Nos	Auxiliary contact or fault signal
1	4 210 10	1 N/C + 1 N/O auxiliary contact for rotary handles
1	4 210 11	Auxiliary contact or fault signalling contact
<b>Shunt releases</b>		
Allow remote tripping of a DPX <sup>3</sup> /DPX <sup>3</sup> -I 160/250 and DPX <sup>3</sup> /DPX <sup>3</sup> -I 125/250 HP		
1	4 210 12	12 V~ / =
1	4 210 13	24 V~ / =
1	4 210 14	48 V~ / =
1	4 210 15	110-130 V~
1	4 210 16	200-277 V~
1	4 210 17	380-480 V~
<b>Undervoltage releases</b>		
Allow remote tripping of a DPX <sup>3</sup> /DPX <sup>3</sup> -I 160/250 and DPX <sup>3</sup> /DPX <sup>3</sup> -I 125/250 HP		
1	4 210 18	12 V~ / =
1	4 210 19	24 V~ / =
1	4 210 20	48 V~ / =
1	4 210 21	110-130 V~ / =
1	4 210 22	200-240 V~
1	4 210 23	277 V~
1	4 210 24	380-415 V~
1	4 210 25	440-480 V~
<b>Time lag (800 ms) undervoltage release</b>		
Allow remote tripping of a DPX <sup>3</sup> /DPX <sup>3</sup> -I 160/250 and DPX <sup>3</sup> /DPX <sup>3</sup> -I 125/250 HP Prevents false tripping in the event of power supply microbreaks		
<b>Time-lag modules</b>		
1	0 261 90	230 V~
1	0 261 91	400 V~
<b>Release</b>		
To be equipped with a time-lag module Cat.Nos 0 261 90/91 For DPX <sup>3</sup> /DPX <sup>3</sup> -I 160/250 and DPX <sup>3</sup> /DPX <sup>3</sup> -I 125/250 HP		
1	4 210 98	
<b>Locking accessory</b>		
1	4 210 49	Padlock for locking in "open" position For DPX <sup>3</sup> 160/250 and DPX 125/250 HP






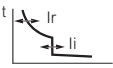


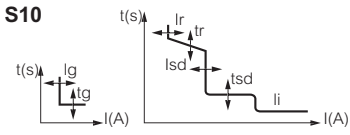
RS 485 communication interface

p. 50



# DPX<sup>3</sup> MCCBs from 16 to 1600 A

fixing on plate

																								
DEVICES	DPX <sup>3</sup> 125 HP thermal magnetic				DPX <sup>3</sup> 160 HP thermal magnetic				DPX <sup>3</sup> 250 HP thermal magnetic															
Mounting	On plate				On plate				On plate															
Breaking capacity (kA) (EN 60947-2 and IEC 60947-2)	36 kA	50 kA	70 kA	100 kA	36 kA	50 kA	70 kA	100 kA	36 kA	50 kA	70 kA	100 kA												
380/415 V~	36	50	70	100	36	50	70	100	36	50	70	100												
220/240 V~	70	90	100	150	70	90	100	150	70	90	100	150												
Breaking capacity (% Icu)	100	100	100	100	100	100	100	100	100	100	100	100												
Characteristic of use																								
Nominal frequency	50/60 Hz																							
Maximum rated operating voltage Ue	690 V (500 V with integrated e.l.c.b <sup>(1)</sup> )				690 V (500 V with integrated e.l.c.b <sup>(1)</sup> )				690 V (500 V with integrated e.l.c.b <sup>(1)</sup> )															
Category of use	A				A				A															
Thermal magnetic adjustment																								
 Thermal	0.8 to 1 I <sub>n</sub>				0.8 to 1 I <sub>n</sub>				0.8 to 1 I <sub>n</sub>															
 Magnetic	10 I <sub>n</sub> (400 A for I <sub>n</sub> from 16 A to 40 A sizes)				10 I <sub>n</sub>				400 A for I <sub>n</sub> from 16 A to 40 A sizes / 6.5 to 13 I <sub>n</sub> for I <sub>n</sub> = 50 A 5 to 10 I <sub>n</sub> for I <sub>n</sub> > 50 A															
Electronic protection adjustment																								
 S1																								
 S10																								
Maximum cable cross-section																								
Rigid cable	50 mm <sup>2</sup>				70 mm <sup>2</sup>				150 mm <sup>2</sup>															
Flexible cable	50 mm <sup>2</sup>				70 mm <sup>2</sup>				120 mm <sup>2</sup>															
Copper bar and lug width	17 mm				17 mm				25 mm <sup>(2)</sup>															
Tightening torque	7 Nm				7 Nm				I <sub>n</sub> ≤ 125 A : 7 Nm / I <sub>n</sub> > 125 A : 10 Nm															
Nominal current (I <sub>n</sub> ) at 40 °C (A)																								
I <sub>n</sub> (A)	16	20	25	32	40	50	63	80	100	125	160	16	20	25	32	40	50	63	80	100	125	160	200	250
Phase	16	20	25	32	40	50	63	80	100	125	160	16	20	25	32	40	50	63	80	100	125	160	200	250
N	16	20	25	32	40	50	63	80	100	125	160	16	20	25	32	40	50	63	80	100	125	160	200	250
Magnetic threshold (I <sub>sd</sub> ) (A) <sup>(3)</sup> of DPX <sup>3</sup> and DPX <sup>3</sup> HP thermal magnetic																								
	Fixed				Fixed				Adjustable															
I <sub>n</sub> (A)	16	20	25	32	40	50	63	80	100	125	160	16	20	25	32	40	50	63	80	100	125	160	200	250
Phase	400	400	400	400	400	500	630	800	1000	1250	1600	400	400	400	400	400	325-650	315-630	400-800	500-1000	625-1250	800-1600	1000-2000	1250-2500
N	400	400	400	400	400	500	630	800	1000	1250	1600	400	400	400	400	400	325-650	315-630	400-800	500-1000	625-1250	800-1600	1000-2000	1250-2500
Endurance (cycles)																								
Electrical	8000				8000				6000															
Mechanical	20000				20000				12000															
Electronic earth leakage module																								
Type	without or integrated <sup>(1)</sup>				without or integrated <sup>(1)</sup>				without or integrated <sup>(1)</sup>															

1: Available only for 36 kA and 50 kA breaking capacities

2: Copper bars only

3: Trip current for 50/60 Hz. For direct current, multiply by 1.5

4: Software/app settings (see p.28)



# DPX<sup>3</sup> 125 HP

thermal magnetic release MCCBs from 16 to 125 A - fixing on plate



4 236 49



4 236 59



4 236 39

Dimensions **p. 58**  
 Electrical characteristics **p. 61**

Moulded case MCCBs for switching, control isolation and protection of low voltage electrical lines  
 Can be fitted with auxiliaries (p. 41)  
 Supplied with: screws for connections, fixing screws and insulated shields (phase barriers)  
 Can be fitted with cage terminals 120 mm<sup>2</sup> max. (flexible cable) or 150 mm<sup>2</sup> max. rigid cable (p. 35)  
 Conform to IEC 60947-2 - Sealable adjustment.  
 Can be mounted on plate in XL<sup>3</sup> and XL<sup>3</sup> S cabinets and enclosures

Pack	Cat.Nos		
			<b>MCCBs thermal magnetic release - fixed version</b>
			Thermal adjustable from 0.8 to 1 In Magnetic fixed at 10 In (fixed at 400 A for In from 16 A to 40 A)
			<b>Breaking capacity Icu 36 kA (400 V<sub>~</sub>)</b>
	3P	4P	In (A)
1	4 236 00	4 236 10	16
1	4 236 01	4 236 11	20
1	4 236 02	4 236 12	25
1	4 236 03	4 236 13	32
1	4 236 04	4 236 14	40
1	4 236 05	4 236 15	50
1	4 236 06	4 236 16	63
1	4 236 07	4 236 17	80
1	4 236 08	4 236 18	100
1	4 236 09	4 236 19	125
			<b>Breaking capacity Icu 50 kA (400 V<sub>~</sub>)</b>
1	4 236 40	4 236 50	16
1	4 236 41	4 236 51	20
1	4 236 42	4 236 52	25
1	4 236 43	4 236 53	32
1	4 236 44	4 236 54	40
1	4 236 45	4 236 55	50
1	4 236 46	4 236 56	63
1	4 236 47	4 236 57	80
1	4 236 48	4 236 58	100
1	4 236 49	4 236 59	125
			<b>Breaking capacity Icu 70 kA (400 V<sub>~</sub>)</b>
1	4 236 80	4 236 90	16
1	4 236 81	4 236 91	20
1	4 236 82	4 236 92	25
1	4 236 83	4 236 93	32
1	4 236 84	4 236 94	40
1	4 236 85	4 236 95	50
1	4 236 86	4 236 96	63
1	4 236 87	4 236 97	80
1	4 236 88	4 236 98	100
1	4 236 89	4 236 99	125
			<b>Breaking capacity Icu 100 kA (400 V<sub>~</sub>)</b>
1	4 237 00	4 237 10	16
1	4 237 01	4 237 11	20
1	4 237 02	4 237 12	25
1	4 237 03	4 237 13	32
1	4 237 04	4 237 14	40
1	4 237 05	4 237 15	50
1	4 237 06	4 237 16	63
1	4 237 07	4 237 17	80
1	4 237 08	4 237 18	100
1	4 237 09	4 237 19	125

Pack	Cat.Nos	
		<b>MCCBs thermal magnetic release with electronic earth leakage module - fixed version</b>
		Thermal adjustable from 0.8 to 1 In Magnetic fixed at 10 In (fixed at 400 A for In from 16 A to 40 A) Equipped with earth leakage module Adjustable sensitivity: 0.03 - 0.3 - 1 - 3 A Adjustable tripping: 0 - 0.3 - 1 - 3s (with 0.03 A possible only 0 s)
		<b>Breaking capacity Icu 36 kA (400 V<sub>~</sub>)</b>
	4P	In (A)
1	4 236 30	16
1	4 236 31	20
1	4 236 32	25
1	4 236 33	32
1	4 236 34	40
1	4 236 35	50
1	4 236 36	63
1	4 236 37	80
1	4 236 38	100
1	4 236 39	125
		<b>Breaking capacity Icu 50 kA (400 V<sub>~</sub>)</b>
1	4 236 70	16
1	4 236 71	20
1	4 236 72	25
1	4 236 73	32
1	4 236 74	40
1	4 236 75	50
1	4 236 76	63
1	4 236 77	80
1	4 236 78	100
1	4 236 79	125



## DPX<sup>3</sup> 160 HP

thermal magnetic release MCCBs up to 160 A - fixing on plate



4 237 25



4 237 26

Dimensions **p. 58**  
 Electrical characteristics **p. 61**

Moulded case MCCBs for switching, control isolation and protection of low voltage electrical lines

Can be fitted with auxiliaries (p. 41)

Supplied with: screws for connections, fixing screws and insulated shields (phase barriers)

Can be fitted with cage terminals 120 mm<sup>2</sup> max. (flexible cable) or 150 mm<sup>2</sup> max. rigid cable (p. 35)

Conform to IEC 60947-2 - Sealable adjustment.

Can be mounted on plate in XL<sup>3</sup> and XL<sup>3</sup> S cabinets and enclosures

Pack	Cat.Nos	MCCBs thermal magnetic release - fixed version
1	4 237 20   4 237 21	Thermal adjustable from 0.8 to 1 In Magnetic fixed at 10 In <b>Breaking capacity Icu 36 kA (400 V<math>\sim</math>)</b> In (A) 160
1	4 237 25   4 231 26	<b>Breaking capacity Icu 50 kA (400 V<math>\sim</math>)</b> 160
1	4 237 30   4 237 31	<b>Breaking capacity Icu 70 kA (400 V<math>\sim</math>)</b> 160
1	4 237 35   4 237 36	<b>Breaking capacity Icu 100 kA (400 V<math>\sim</math>)</b> 160
1	4 237 23	<b>MCCBs thermal magnetic release with electronic earth leakage module - fixed version</b> Thermal adjustable from 0.8 to 1 In Magnetic fixed at 10 In Equipped with earth leakage module Adjustable sensitivity: 0.03 - 0.3 - 1 - 3 A Adjustable tripping: 0 - 0.3 - 1 - 3s (with 0.03 A possible only 0 s) <b>Breaking capacity Icu 36 kA (400 V<math>\sim</math>)</b> In (A) 160
1	4 237 28	<b>Breaking capacity Icu 50 kA (400 V<math>\sim</math>)</b> 160

DPX<sup>3</sup>-I 160 HP trip-free switches  
**p. 52**

## DPX<sup>3</sup> 125 HP and 160 HP

equipment and accessories



4 238 74



4 238 76



4 238 35

Pack	Cat.Nos	Rotary handles
1	4 238 70	<b>Direct on DPX<sup>3</sup></b> Standard (grey)
1	4 238 71	For emergency use (red/yellow)
1	4 238 72	<b>Vari-depth handle IP 55</b> Comprising: connection rod, bracket, self-adhesive drilling template, mounting accessories and door lock mechanism Standard (grey)
1	4 238 73	For emergency use (red/yellow)
1	4 238 05	<b>Locking accessories for vari-depth handles</b> To be equipped with universal keylocks Cat.No 4 238 80/81/82/83 (p. 19) For vari-depth handle Cat.Nos 4 238 02/03 (p. 18) and 4 238 72/73
1	4 238 34	<b>Connection accessories</b> <b>Insulated shields (phase barriers)</b> Set of 2 insulated shields for DPX <sup>3</sup> 125/160/250 HP 3P
1	4 238 35	Set of 3 insulated shields for DPX <sup>3</sup> 125/160/250 HP 4P
1	4 210 49	<b>Padlock</b> Padlock for locking in "open" position For DPX <sup>3</sup> 160/250 and DPX <sup>3</sup> 125/160/250 HP
1	4 238 84	<b>Cage terminals</b> For Cu/Al cables, 1 x 70 mm <sup>2</sup> for flexible and rigid cables (for Al cables In max 80 A) Set of 3 terminals for DPX <sup>3</sup> 125/160 HP 3P
1	4 238 85	Set of 4 terminals for DPX <sup>3</sup> 125/160 HP 4P
1	4 238 76	<b>High capacity cage terminals</b> For Cu/Al cables, 1 x 120 mm <sup>2</sup> for flexible cables and 1 x 150 mm <sup>2</sup> for rigid cable Set of 3 terminals for DPX <sup>3</sup> 125/160 HP 3P
1	4 238 77	Set of 4 terminals for DPX <sup>3</sup> 125/160 HP 4P
1	4 238 88	<b>Spreaders</b> For incoming bars or cable lugs Set of 3 spreaders for DPX <sup>3</sup> 125/160 HP 3P
1	4 238 89	Set of 4 spreaders for DPX <sup>3</sup> 125/160 HP 4P
1	4 238 91	<b>Rear terminals</b> Used to convert a fixed version with front terminals to a fixed version with rear terminals Set of 3 rear terminals for DPX <sup>3</sup> 125/160 HP 3P
1	4 238 92	Set of 4 rear terminals for DPX <sup>3</sup> 125/160 HP 4P
1	4 238 93	<b>Sealable terminal shields</b> <b>For front terminals</b> For DPX <sup>3</sup> 125/160 HP 3P
1	4 238 94	For DPX <sup>3</sup> 125/160 HP 4P
1	4 238 27	<b>Mechanical interlock for transfer switches</b> Interlocking mechanism for 2 fixed DPX <sup>3</sup> 125/160/250 HP MCCBs
1	4 238 28	Interlocking mechanism for 2 fixed DPX <sup>3</sup> 125/160/250 HP MCCBs with electronic module
1	4 238 25	Plate for mounting and interlocking of 2 DPX <sup>3</sup> 125/160 HP

Universal key locks for DPX<sup>3</sup> 125/160/250 HP  
**p. 41**

Signalling and control accessories  
**p. 41**

# DPX<sup>3</sup> 250 HP

thermal magnetic release MCCBs from 16 to 250 A - fixing on plate



4 230 72



4 230 87



4 231 17

Dimensions **p. 59-60**  
 Electrical characteristics **p. 61**

Moulded case MCCBs for switching, control isolation and protection of low voltage electrical lines. Can be fitted with auxiliaries (p. 41)  
 Supplied with: screws for connections, fixing screws, and insulated shIELDS (phase barriers)  
 Can be fitted with cage terminals 120 mm<sup>2</sup> max. (flexible cable) or 150 mm<sup>2</sup> max. rigid cable (p. 41)  
 Can be mounted on plate in XL<sup>3</sup> and XL<sup>3</sup> S cabinets and enclosures  
 Conform to IEC 60947-2

Pack	Cat.Nos		MCCBs thermal magnetic release - fixed version
	3P	4P	
			<b>Breaking capacity Icu 36 kA (400 V~)</b>
			In (A)
1	4 230 00	4 230 15	16
1	4 230 01	4 230 16	20
1	4 230 02	4 230 17	25
1	4 230 03	4 230 18	32
1	4 230 04	4 230 19	40
1	4 230 05	4 230 20	50
1	4 230 06	4 230 21	63
1	4 230 07	4 230 22	80
1	4 230 08	4 230 23	100
1	4 230 09	4 230 24	125
1	4 230 10	4 230 25	160
1	4 230 11	4 230 26	200
1	4 230 12	4 230 27	250
			<b>Breaking capacity Icu 50 kA (400 V~)</b>
1	4 230 60	4 230 75	16
1	4 230 61	4 230 76	20
1	4 230 62	4 230 77	25
1	4 230 63	4 230 78	32
1	4 230 64	4 230 79	40
1	4 230 65	4 230 80	50
1	4 230 66	4 230 81	63
1	4 230 67	4 230 82	80
1	4 230 68	4 230 83	100
1	4 230 69	4 230 84	125
1	4 230 70	4 230 85	160
1	4 230 71	4 230 86	200
1	4 230 72	4 230 87	250
			<b>Breaking capacity Icu 70 kA (400 V~)</b>
1	4 231 20	4 231 35	16
1	4 231 21	4 231 36	20
1	4 231 22	4 231 37	25
1	4 231 23	4 231 38	32
1	4 231 24	4 231 39	40
1	4 231 25	4 231 40	50
1	4 231 26	4 231 41	63
1	4 231 27	4 231 42	80
1	4 231 28	4 231 43	100
1	4 231 29	4 231 44	125
1	4 231 30	4 231 45	160
1	4 231 31	4 231 46	200
1	4 231 32	4 231 47	250
			<b>Breaking capacity Icu 100 kA (400 V~)</b>
1	4 231 50	4 231 65	16
1	4 231 51	4 231 66	20
1	4 231 52	4 231 67	25
1	4 231 53	4 231 68	32

Pack	Cat.Nos		MCCBs thermal magnetic release - fixed version (continued)
	3P	4P	
			In (A)
1	4 231 54	4 231 69	40
1	4 231 55	4 231 70	50
1	4 231 56	4 231 71	63
1	4 231 57	4 231 72	80
1	4 231 58	4 231 73	100
1	4 231 59	4 231 74	125
1	4 231 60	4 231 75	160
1	4 231 61	4 231 76	200
1	4 231 62	4 231 77	250
			<b>MCCBs thermal magnetic release with electronic earth leakage module - fixed version</b>
			Thermal adjustable from 0.8 to 1 In Magnetic: fixed at 400 A for In ≤ 40 A, adjustable from 6.5 to 13 In for In = 50 A, adjustable from 5 to 10 In for In ≥ 63 A Equipped with earth leakage module Adjustable sensitivity: 0.03 - 0.3 - 1 - 3 A Adjustable tripping: 0 - 0.3 - 1 - 3s (with 0.03 A possible only 0s)
			<b>Breaking capacity Icu 36 kA (400 V~)</b>
			In (A)
		4P	
1		4 230 45	16
1		4 230 46	20
1		4 230 47	25
1		4 230 48	32
1		4 230 49	40
1		4 230 50	50
1		4 230 51	63
1		4 230 52	80
1		4 230 53	100
1		4 230 54	125
1		4 230 55	160
1		4 230 56	200
1		4 230 57	250
			<b>Breaking capacity Icu 50 kA (400 V~)</b>
1		4 231 05	16
1		4 231 06	20
1		4 231 07	25
1		4 231 08	32
1		4 231 09	40
1		4 231 10	50
1		4 231 11	63
1		4 231 12	80
1		4 231 13	100
1		4 231 14	125
1		4 231 15	160
1		4 231 16	200
1		4 231 17	250

# DPX<sup>3</sup> 250 HP

## S1 electronic release MCCBs from 40 to 250 A - fixing on plate



4 232 28

Dimensions **p. 59-60**  
 Electrical characteristics **p. 61**

Moulded case MCCBs for switching, control isolation and protection of low voltage electrical lines. Can be fitted with auxiliaries (p. 41)  
 Supplied with: screws for connection fixing screws, connection plates for bars and cable lugs and insulated shileds (phase barriers)  
 Can be fitted with cage terminals 120 mm<sup>2</sup> max. (flexible cable) or 150 mm<sup>2</sup> max. rigid cable (p. 41)  
 Can be mounted on plate in XL<sup>3</sup> and XL<sup>3</sup> S cabinets and enclosures  
 Conform to IEC 60947-2

Pack	Cat.Nos		MCCBs S1 electronic release - fixed version
			<b>Breaking capacity I<sub>cu</sub> 36 kA (400 V<sub>~</sub>)</b>
			I <sub>n</sub> (A)
1	3P 4 232 00	4P 4 232 05	40
1	4 232 01	4 232 06	100
1	4 232 02	4 232 07	160
1	4 232 03	4 232 08	250
			<b>Breaking capacity I<sub>cu</sub> 50 kA (400 V<sub>~</sub>)</b>
1	4 232 20	4 232 25	40
1	4 232 21	4 232 26	100
1	4 232 22	4 232 27	160
1	4 232 23	4 232 28	250
			<b>Breaking capacity I<sub>cu</sub> 70 kA (400 V<sub>~</sub>)</b>
1	4 232 40	4 232 45	40
1	4 232 41	4 232 46	100
1	4 232 42	4 232 47	160
1	4 232 43	4 232 48	250
			<b>Breaking capacity I<sub>cu</sub> 100 kA (400 V<sub>~</sub>)</b>
1	4 232 50	4 232 55	40
1	4 232 51	4 232 56	100
1	4 232 52	4 232 57	160
1	4 232 53	4 232 58	250

Pack	Cat.Nos	MCCBs S1 electronic release with electronic earth leakage module - fixed version
		<b>Breaking capacity I<sub>cu</sub> 36 kA (400 V<sub>~</sub>)</b>
		I <sub>n</sub> (A)
	4P	
1	4 232 15	40
1	4 232 16	100
1	4 232 17	160
1	4 232 18	250
		<b>Breaking capacity I<sub>cu</sub> 50 kA (400 V<sub>~</sub>)</b>
1	4 232 35	40
1	4 232 36	100
1	4 232 37	160
1	4 232 38	250

DPX<sup>3</sup>-I 250 HP trip-free switches  
**p. 52**

DPX<sup>3</sup> 250 HP magnetic release only  
**p. 53**

Signalling and control accessories  
**p. 41**

# DPX<sup>3</sup> 250 HP

S10 configurable electronic release MCCBs from 40 to 250 A - fixing on plate



4 234 23



4 234 28



4 234 38

Dimensions **p. 59-60**  
 Electrical characteristics **p. 61**

Moulded case MCCBs for switching, control isolation and protection of low voltage electrical lines. Can be fitted with auxiliaries (p. 41)  
 Supplied with: screws for connection fixing screws, connection plates for bars and cable lugs and insulated shileds (phase barriers)  
 Can be fitted with cage terminals 120 mm<sup>2</sup> max. (flexible cable) or 150 mm<sup>2</sup> max. rigid cable (p. 41)  
 Can be mounted on plate in XL<sup>3</sup> and XL<sup>3</sup> S cabinets and enclosures  
 Conform to IEC 60947-2

Pack	Cat.Nos		
			<b>MCCBs S10 configurable electronic release - fixed version</b>
			Adjustement of Ir, I <sub>sd</sub> , I <sub>i</sub> , I <sub>g</sub> , t <sub>r</sub> , t <sub>sd</sub> , t <sub>g</sub> directly on the MCCB or via software/App (p. 43) For connection to the App add a Bluetooth communication key Cat.No 0 283 10 (p. 50) Green indicator lamp Connector for test unit Logical selectivity 4P version: adjustment of neutral on front panel or by software/App
			<b>Breaking capacity I<sub>cu</sub> 36 kA (400 V<math>\sim</math>)</b>
	3P	4P	I <sub>n</sub> (A)
1	4 234 00	4 234 05	40
1	4 234 01	4 234 06	100
1	4 234 02	4 234 07	160
1	4 234 03	4 234 08	250
			<b>Breaking capacity I<sub>cu</sub> 50 kA (400 V<math>\sim</math>)</b>
1	4 234 20	4 234 25	40
1	4 234 21	4 234 26	100
1	4 234 22	4 234 27	160
1	4 234 23	4 234 28	250
			<b>Breaking capacity I<sub>cu</sub> 70 kA (400 V<math>\sim</math>)</b>
1	4 234 40	4 234 45	40
1	4 234 41	4 234 46	100
1	4 234 42	4 234 47	160
1	4 234 43	4 234 48	250
			<b>Breaking capacity I<sub>cu</sub> 100 kA (400 V<math>\sim</math>)</b>
1	4 234 50	4 234 55	40
1	4 234 51	4 234 56	100
1	4 234 52	4 234 57	160
1	4 234 53	4 234 58	250

Pack	Cat.Nos	
		<b>MCCBs S10 configurable electronic release with electronic earth leakage module - fixed version</b>
		Adjustement of Ir, I <sub>sd</sub> , I <sub>i</sub> , I <sub>g</sub> , t <sub>r</sub> , t <sub>sd</sub> , t <sub>g</sub> directly on the MCCB or via software/App (p. 43) For connection to the App add a Bluetooth communication key Cat.No 0 283 10 (p. 50) Green indicator lamp Connector for test unit Logical selectivity 4P version: adjustment of neutral on front panel or by software/App Equipped with earth leakage module Adjustable sensitivity: 0.03 - 0.3 - 1 - 3 A Adjustable tripping: 0 - 0.3 - 1 - 3s
		<b>Breaking capacity I<sub>cu</sub> 36 kA (400 V<math>\sim</math>)</b>
	4P	I <sub>n</sub> (A)
1	4 234 15	40
1	4 234 16	100
1	4 234 17	160
1	4 234 18	250
		<b>Breaking capacity I<sub>cu</sub> 50 kA (400 V<math>\sim</math>)</b>
1	4 234 35	40
1	4 234 36	100
1	4 234 37	160
1	4 234 38	250

DPX<sup>3</sup>-I 250 HP trip-free switches  
**p. 52**

DPX<sup>3</sup> 250 HP magnetic release only  
**p. 53**

Signalling and control accessories  
**p. 41**



# DPX<sup>3</sup> 250 HP

## S10 configurable electronic release MCCBs from 40 to 250 A - fixing on plate (continued)



4 234 83



4 234 88

Dimensions **p. 59-60**  
 Electrical characteristics **p. 61**

Moulded case MCCBs for switching, control isolation and protection of low voltage electrical lines. Can be fitted with auxiliaries (p. 41)  
 Supplied with: screws for connection fixing screws, connection plates for bars and cable lugs and insulated shileds (phase barriers)  
 Can be fitted with cage terminals 120 mm<sup>2</sup> max. (flexible cable) or 150 mm<sup>2</sup> max. rigid cable (p. 41)  
 Can be mounted on plate in XL<sup>3</sup> and XL<sup>3</sup> S cabinets and enclosures  
 Conform to IEC 60947-2

Pack	Cat.Nos		
			<b>MCCBs S10 configurable electronic release with energy metering central unit - fixed version</b>
			Adjustement of Ir, Isd, li, lg, tr, tsd, tg directly on the MCCB or via software/App (p. 43) For connection to the App add a Bluetooth communication key Cat.No 0 283 10, (p. 50) Green indicator lamp Connector for test unit Logical selectivity 4P version: adjustment of neutral on front panel or by software/App For the correct operation and power supply of metering function, see p. 50
			<b>Breaking capacity Icu 36 kA (400 V<math>\sim</math>)</b>
	3P	4P	In (A)
1	4 234 60	4 234 65	40
1	4 234 61	4 234 66	100
1	4 234 62	4 234 67	160
1	4 234 63	4 234 68	250
			<b>Breaking capacity Icu 50 kA (400 V<math>\sim</math>)</b>
1	4 234 80	4 234 85	40
1	4 234 81	4 234 86	100
1	4 234 82	4 234 87	160
1	4 234 83	4 234 88	250
			<b>Breaking capacity Icu 70 kA (400 V<math>\sim</math>)</b>
1	4 235 00	4 235 05	40
1	4 235 01	4 235 06	100
1	4 235 02	4 235 07	160
1	4 235 03	4 235 08	250
			<b>Breaking capacity Icu 100 kA (400 V<math>\sim</math>)</b>
1	4 235 10	4 235 15	40
1	4 235 11	4 235 16	100
1	4 235 12	4 235 17	160
1	4 235 13	4 235 18	250

Pack	Cat.Nos	
		<b>MCCBs S10 configurable electronic release with energy metering central unit and electronic earth leakage module - fixed version</b>
		Adjustement of Ir, Isd, li, lg, tr, tsd, tg directly on the MCCB or via software/App (p. 43) For connection to the App add a Bluetooth communication key Cat.No 0 283 10 (p. 50) Green indicator lamp Connector for test unit Logical selectivity 4P version: adjustment of neutral on front panel or by software/App Equipped with earth leakage module Adjustable sensitivity: 0.03 - 0.3 - 1 - 3 A Adjustable tripping: 0 - 0.3 - 1 - 3s For the correct operation and power supply of metering function, see p. 50
		<b>Breaking capacity Icu 36 kA (400 V<math>\sim</math>)</b>
	4P	In (A)
1	4 234 75	40
1	4 234 76	100
1	4 234 77	160
1	4 234 78	250
		<b>Breaking capacity Icu 50 kA (400 V<math>\sim</math>)</b>
1	4 234 95	40
1	4 234 96	100
1	4 234 97	160
1	4 234 98	250

Power supply and supervision system **p. 50**

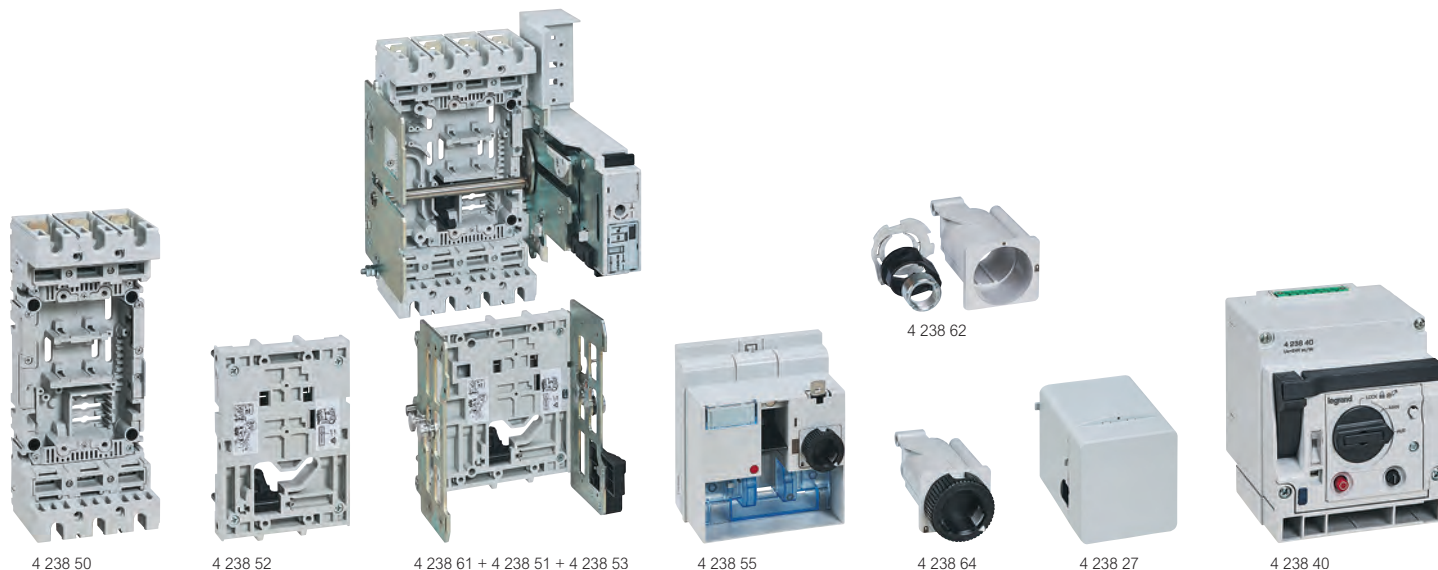
DPX<sup>3</sup>-I 250 HP trip-free switches **p. 52**

DPX<sup>3</sup> 250 HP magnetic release only **p. 53**

Signalling and control accessories **p. 41**

# DPX<sup>3</sup> 250 HP

equipment and accessories



Pack	Cat.Nos		Pack	Cat.Nos	
		<b>Plug-in version</b>			<b>Mechanical interlock for transfer switches</b>
		A DPX <sup>3</sup> HP plug-in version is a DPX <sup>3</sup> HP fitted with a plug-in mobile part kit and mounted on a plug-in base	1	4 238 27	Interlocking mechanism for 2 fixed DPX <sup>3</sup> 125/250 HP MCCBs
1	4 238 50   4 238 51	<b>Plug-in bases</b>	1	4 238 28	Interlocking mechanism for 2 fixed DPX <sup>3</sup> 125/250 HP MCCBs with electronic module
	3P   4P	For DPX <sup>3</sup> 250 HP	1	4 238 29	Rear interlocking mechanism for 2 plug-in / draw-out DPX <sup>3</sup> 250 HP MCCBs
1	4 238 52   4 238 53	<b>Plug-in mobile part kit</b>	1	4 238 26	Plate for mounting and interlocking of 2 DPX <sup>3</sup> 250 HP
		For DPX <sup>3</sup> 250 HP			<b>Rotary handles</b>
1	4 238 63	<b>Locking support</b>			<b>Direct on DPX<sup>3</sup></b>
		Locking support for plug-in version. To be equipped with universal keylocks Cat.No 4 238 80/81/82/83 (p. 41)	1	4 238 00	Standard (grey)
		<b>Draw-out version</b>	1	4 238 01	For emergency use (red/yellow)
		A DPX <sup>3</sup> HP draw-out version is a plug-in DPX <sup>3</sup> HP fitted with a "Debro-lift mechanism" and a "Draw-out front cover mask" which can be used to withdraw the DPX <sup>3</sup> HP while keeping it on its base			<b>Vari-depth handle IP 55</b>
					Comprising: connection rod, bracket, self-adhesive drilling template, mounting accessories and door lock mechanism
1	3P/4P 4 238 60   4 238 61	<b>Debro-lift mechanism</b>	1	4 238 02	Standard (grey)
		For DPX <sup>3</sup> 250 HP ; Supplied with handle	1	4 238 03	For emergency use (red/yellow)
1	4 238 55	<b>Draw-out front cover masks</b>			<b>Locking supports for rotary handles</b>
		For DPX <sup>3</sup> 250 HP alone	1	4 238 04	To be equipped with universal keylocks Cat.No 4 238 80/81/82/83 (p. 41)
1	4 238 56	For DPX <sup>3</sup> 250 HP with motor-driven handle	1	4 238 05	For direct handle Cat.No 4 238 00/01
					For vari-depth handle Cat.Nos 4 238 02/03 and 4 238 72/73 (p. 35)
1	4 238 62	<b>Locking support in draw-out position</b>			<b>Auxiliary contact for rotary handles</b>
		Enable locking of DPX <sup>3</sup> 250 HP in draw-out position. To be equipped with universal keylocks Cat.No 4 238 80/81/82/83 (p. 41)	1	4 238 06	1 N/C + 1 N/O auxiliary contact for rotary handles
1	4 238 64	<b>Padlock in draw-out position</b>			<b>Motor-driven handles</b>
		Enable padlocking of DPX <sup>3</sup> HP in draw-out position			<b>Front installation motor operators</b>
1	4 222 30	<b>Auxiliary contact</b>	1	4 238 40	24 V~/=
		Automatic auxiliary contact for DPX <sup>3</sup> HP draw-out version (up to 2 contacts by DPX <sup>3</sup> -HP)	1	4 238 41	48 V~/=
		<b>Set of connectors for plug-in and draw-out versions</b>	1	4 238 42	110 V~
1	0 098 19	Signalling contact plugged-in / drawn-out	1	4 238 43	230 V~
					<b>Locking accessories for motor-driven handles</b>
1	4 210 48	<b>Signalling contact</b>	1	4 238 45	Locking support for motor operators Cat.Nos 4 238 40/41/42/43. To be equipped with universal keylocks Cat.No 4 238 80/81/82/83 (p. 41)
		For DPX <sup>3</sup> 160/250 and DPX <sup>3</sup> 250 HP plug-in versions	1	4 238 46	Padlock for motor operators Cat.Nos 4 238 40/41/42/43

## DPX<sup>3</sup> 250 HP

equipment and accessories (continued)



4 238 30

4 238 23

## DPX<sup>3</sup> 125/160/250 HP common auxiliaries and accessories



4 210 11

4 210 16

4 210 22

Pack	Cat.Nos	Connection accessories
1	4 238 34	<b>Insulated shields (phase barriers)</b> Set of 2 insulated shields for DPX <sup>3</sup> HP 125/250 3P
1	4 238 35	Set of 3 insulated shields for DPX <sup>3</sup> HP 125/250 4P
1	4 210 49	<b>Padlock</b> Padlock for locking in "open" position For DPX <sup>3</sup> 160/250 and DPX <sup>3</sup> 125/250 HP
		<b>Cage terminals</b> For Cu/Al cables, 1 x 120 mm <sup>2</sup> for flexible cables and 1 x 150 mm <sup>2</sup> for rigid cable
1	4 238 30	Set of 3 terminals for DPX <sup>3</sup> 250 HP 3P
1	4 238 31	Set of 4 terminals for DPX <sup>3</sup> 250 HP 4P
1	4 238 23	<b>Sealable terminal shields (for front terminals)</b> For DPX <sup>3</sup> 250 HP 3P
1	4 238 24	For DPX <sup>3</sup> 250 HP 4P
		<b>Spreaders</b> For incoming bars or cable lugs
1	6 250 14	Set of 3 spreaders for DPX <sup>3</sup> 250 HP 3P
1	6 250 18	Set of 4 spreaders for DPX <sup>3</sup> 250 HP 4P
		<b>Rear terminals</b> Flat swivel terminals Used to convert a fixed version with front terminals to a fixed version with rear terminals
1	4 238 21	Set of 3 rear terminals for DPX <sup>3</sup> 250 HP 3P
1	4 238 22	Set of 4 rear terminals for DPX <sup>3</sup> 250 HP 4P
		<b>Universal key locks for DPX<sup>3</sup> 125/160/250 HP</b> Allow locking of rotary handles, draw-out mechanisms or motor-driven handles. To be used in combination with locking accessories Cat.No 4 238 04/05/45/46/62/63 (p. 35 and 41)
1	4 238 80	Key barrel and flat key with random mapping
1	4 238 81	Key barrel and flat key with fixed mapping EL43525
1	4 238 82	Key barrel and flat key with fixed mapping EL43363
1	4 238 83	Key barrel and star key with random mapping

Pack	Cat.Nos	Auxiliary contact or fault signal
1	4 210 11	Auxiliary contact or fault signalling contact
		<b>Shunt releases</b> Allow remote tripping of a DPX <sup>3</sup> /DPX <sup>3</sup> -I 160/250 and DPX <sup>3</sup> /DPX <sup>3</sup> -I 125/160/250 HP
1	4 210 12	12 V $\sim$ /=
1	4 210 13	24 V $\sim$ /=
1	4 210 14	48 V $\sim$ /=
1	4 210 15	110-130 V $\sim$
1	4 210 16	200-277 V $\sim$
1	4 210 17	380-480 V $\sim$
		<b>Undervoltage releases</b> Allow remote tripping of a DPX <sup>3</sup> /DPX <sup>3</sup> -I 160/250 and DPX <sup>3</sup> /DPX <sup>3</sup> -I 125/160/250 HP
1	4 210 18	12 V $\sim$ /=
1	4 210 19	24 V $\sim$ /=
1	4 210 20	48 V $\sim$ /=
1	4 210 21	110-130 V $\sim$ /=
1	4 210 22	200-240 V $\sim$
1	4 210 23	277 V $\sim$
1	4 210 24	380-415 V $\sim$
1	4 210 25	440-480 V $\sim$
		<b>Time lag (800 ms) undervoltage release</b> Allow remote tripping of a DPX <sup>3</sup> /DPX <sup>3</sup> -I 160/250 and DPX <sup>3</sup> /DPX <sup>3</sup> -I 125/160/250 HP Prevents false tripping in the event of power supply microbreaks
		<b>Time-lag modules</b>
1	0 261 90	230 V $\sim$
1	0 261 91	400 V $\sim$
		Number of modules 3 3
		<b>Release</b> To be equipped with a time-lag module Cat.Nos 0 261 90/91 For DPX <sup>3</sup> /DPX <sup>3</sup> -I 160/250 and DPX <sup>3</sup> /DPX <sup>3</sup> -I 125/160/250 HP
1	4 210 98	

# DPX<sup>3</sup> 630

thermal magnetic release MCCBs from 250 to 630 A - fixing on plate



4 220 02



4 220 07

Dimensions **p. 62-63**  
 Electrical characteristics **p. 66**

Moulded case MCCBs for switching, control isolation and protection of low voltage electrical lines

Can be fitted with auxiliaries (p. 50)

Can be used with earth leakage modules (p. 45) or with residual current relays (p. 51)

Supplied complete with:

- fixing screws
- connection plates for bars
- insulated shields (phase barriers)

Conform to IEC 60947-2 - Sealable adjustment

Can be mounted on plate in XL<sup>3</sup> and XL<sup>3</sup> S cabinets and enclosures

Pack	Cat.Nos		
			<b>MCCBs thermal magnetic release - fixed version</b>
			Thermal adjustable from 0.8 to 1 In Magnetic adjustable from 5 to 10 In
			<b>Breaking capacity Icu 36 kA (400 V~)</b>
	In (A)		
1	3P   4P	4 220 00   4 220 05	250
1	3P   4P	4 220 01   4 220 06	320
1	3P   4P	4 220 02   4 220 07	400
1	3P   4P	4 220 03   4 220 08	500
1	3P   4P	4 220 04   4 220 09	630
	3P + N/2		
1	4 220 10		320
1	4 220 11		400
1	4 220 12		500
1	4 220 13		630
	3P   4P		<b>Breaking capacity Icu 50 kA (400 V~)</b>
1	3P   4P	4 220 14   4 220 19	250
1	3P   4P	4 220 15   4 220 20	320
1	3P   4P	4 220 16   4 220 21	400
1	3P   4P	4 220 17   4 220 22	500
1	3P   4P	4 220 18   4 220 23	630
	3P + N/2		
1	4 220 24		320
1	4 220 25		400
1	4 220 26		500
1	4 220 27		630

Pack	Cat.Nos		
			<b>MCCBs thermal magnetic release - fixed version (continued)</b>
			<b>Breaking capacity Icu 70 kA (400 V~)</b>
			In (A)
1	3P   4P	4 220 28   4 220 33	250
1	3P   4P	4 220 29   4 220 34	320
1	3P   4P	4 220 30   4 220 35	400
1	3P   4P	4 220 31   4 220 36	500
1	3P   4P	4 220 32   4 220 37	630
	3P + N/2		
1	4 220 38		320
1	4 220 39		400
1	4 220 40		500
1	4 220 41		630
	3P   4P		<b>Breaking capacity Icu 100 kA (400 V~)</b>
1	3P   4P	4 220 42   4 220 47	250
1	3P   4P	4 220 43   4 220 48	320
1	3P   4P	4 220 44   4 220 49	400
1	3P   4P	4 220 45   4 220 50	500
1	3P   4P	4 220 46   4 220 51	630
	3P + N/2		
1	4 220 52		320
1	4 220 53		400
1	4 220 54		500
1	4 220 55		630

DPX<sup>3</sup>-I 630 trip-free switches  
**p. 52**

DPX<sup>3</sup> 630 magnetic release only  
**p. 53**



## DPX<sup>3</sup> 630

S1 electronic release MCCBs from 250 to 630 A - fixing on plate



4 225 15

Dimensions p. 62-63  
 Electrical characteristics p. 66

Moulded case MCCBs for switching, control isolation and protection of low voltage electrical lines  
 Can be fitted with auxiliaries (p. 50)  
 Can be used with earth leakage modules (p. 45) or with residual current relays (p. 51)  
 Do not accept DPX<sup>3</sup> electronic interface for Modbus Cat.No 4 210 75 (p. 50)  
 Supplied complete with:  
 - fixing screws  
 - connection plates for bars  
 - insulated shields (phase barriers)  
 Conform to IEC 60947-2 - Sealable adjustment  
 Can be mounted on plate in XL<sup>3</sup> and XL<sup>3</sup> S cabinets and enclosures

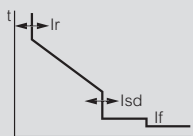
Pack	Cat.Nos		MCCBs S1 electronic release - fixed version
			Adjustment of $I_r$ , $I_{sd}$ (opposite) Instantaneous protection $I_f = 5 \text{ kA}$ Green indicator lamp Connector for test unit Dynamic selectivity 4P version: adjustment of neutral on front panel
			<b>Breaking capacity <math>I_{cu} 36 \text{ kA} (400 \text{ V}\sim)</math></b>
	3P	4P	$I_n \text{ (A)}$
1	4 224 98	4 225 03	250
1	4 224 99	4 225 04	320
1	4 225 00	4 225 05	400
1	4 225 01	4 225 06	500
1	4 225 02	4 225 07	630
			<b>Breaking capacity <math>I_{cu} 50 \text{ kA} (400 \text{ V}\sim)</math></b>
1	4 225 08	4 225 13	250
1	4 225 09	4 225 14	320
1	4 225 10	4 225 15	400
1	4 225 11	4 225 16	500
1	4 225 12	4 225 17	630
			<b>Breaking capacity <math>I_{cu} 70 \text{ kA} (400 \text{ V}\sim)</math></b>
1	4 225 18	4 225 23	250
1	4 225 19	4 225 24	320
1	4 225 20	4 225 25	400
1	4 225 21	4 225 26	500
1	4 225 22	4 225 27	630
			<b>Breaking capacity <math>I_{cu} 100 \text{ kA} (400 \text{ V}\sim)</math></b>
1	4 225 28	4 225 33	250
1	4 225 29	4 225 34	320
1	4 225 30	4 225 35	400
1	4 225 31	4 225 36	500
1	4 225 32	4 225 37	630

## DPX<sup>3</sup> 630/1600

electronic release adjustment

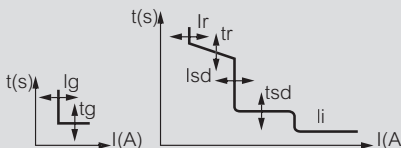
### Performance data

#### S1 - Adjustment of $I_r$ , $I_{sd}$



Protection against overloads:  
 -  $I_r$  adjustable from 0.4 to  $1 \times I_n$   
 Protection against short circuits:  
 -  $I_{sd}$  adjustable from 1.5 to  $10 \times I_r$   
 Instantaneous protection  $I_f = 5 \text{ kA}$

#### S10 - Adjustment of $I_r$ , $t_r$ , $I_{sd}$ , $t_{sd}$ , $I_i$ , $I_g$ , $t_g$



Protection against overloads:  
 -  $I_r$  adjustable from 0.2 to  $1 \times I_n$   
 -  $t_r$  adjustable from 3 to 30 s  
 Protection against short circuits:  
 -  $I_{sd}$  adjustable from 1.5  $I_r$  to  $10 \times I_n$   
 -  $t_{sd}$  adjustable from 40 to 480 ms  
 -  $I_i$  adjustable from 2 to  $15 \times I_n$  (via software/App)

Protection against earth fault:  
 -  $I_g$  adjustable from 0.2 to  $1 \times I_n$   
 -  $t_g$  adjustable from 80 ms to 1 s

With remote configuration (by software or App) possibility to set in OFF position (disable protection) and move with smaller steps of current/time.

# DPX<sup>3</sup> 630

S10 configurable electronic release MCCBs from 250 to 630 A - fixing on plate



4 228 27

4 228 24

4 228 29

Dimensions **p. 62-63**  
 Electrical characteristics **p. 66**

Moulded case MCCBs for switching, control isolation and protection of low voltage electrical lines  
 Can be fitted with auxiliaries (p. 50)  
 Can be used with earth leakage modules (p. 45) or with residual current relays (p. 51)  
 Supplied complete with:  
 - fixing screws  
 - connection plates for bars  
 - insulated shields (phase barriers)  
 Conform to IEC 60947-2 - Sealable adjustment  
 Can be mounted on plate in XL<sup>3</sup> and XL<sup>3</sup> S cabinets and enclosures

Pack	Cat.Nos		
			<b>MCCBs S10 configurable electronic release - fixed version</b>
			Adjustment of $I_r$ , $I_{sd}$ , $I_i$ , $I_g$ , $t_r$ , $t_{sd}$ , $t_g$ directly on the MCCB or via software/App (p. 43) For connection to the App add a Bluetooth communication key Cat.No 0 283 10 (p. 50) Green indicator lamp Connector for test unit Logical selectivity 4P version: adjustment of neutral on front panel or by software or App
			<b>Breaking capacity Icu 36 kA (400 V~)</b>
	3P	4P	$I_n$ (A)
1	4 228 20	4 228 25	250
1	4 228 21	4 228 26	320
1	4 228 22	4 228 27	400
1	4 228 23	4 228 28	500
1	4 228 24	4 228 29	630
			<b>Breaking capacity Icu 50 kA (400 V~)</b>
1	4 228 30	4 228 35	250
1	4 228 31	4 228 36	320
1	4 228 32	4 228 37	400
1	4 228 33	4 228 38	500
1	4 228 34	4 228 39	630
			<b>Breaking capacity Icu 70 kA (400 V~)</b>
1	4 228 40	4 228 45	250
1	4 228 41	4 228 46	320
1	4 228 42	4 228 47	400
1	4 228 43	4 228 48	500
1	4 228 44	4 228 49	630
			<b>Breaking capacity Icu 100 kA (400 V~)</b>
1	4 228 50	4 228 55	250
1	4 228 51	4 228 56	320
1	4 228 52	4 228 57	400
1	4 228 53	4 228 58	500
1	4 228 54	4 228 59	630

Pack	Cat.Nos		
			<b>MCCBs S10 configurable electronic release with energy metering central unit - fixed version</b>
			Adjustment of $I_r$ , $I_{sd}$ , $I_i$ , $I_g$ , $t_r$ , $t_{sd}$ , $t_g$ directly on the MCCB or via software/App (p. 43) For connection to the App add a Bluetooth communication key Cat.No 0 283 10 (p. 50) Green indicator lamp Connector for test unit Logical selectivity 4P version: adjustment of neutral on front panel or by software or App For correct operation and power supply of metering function, see p. 50
			<b>Breaking capacity Icu 36 kA (400 V~)</b>
	3P	4P	$I_n$ (A)
1	4 228 60	4 228 65	250
1	4 228 61	4 228 66	320
1	4 228 62	4 228 67	400
1	4 228 63	4 228 68	500
1	4 228 64	4 228 69	630
			<b>Breaking capacity Icu 50 kA (400 V~)</b>
1	4 228 70	4 228 75	250
1	4 228 71	4 228 76	320
1	4 228 72	4 228 77	400
1	4 228 73	4 228 78	500
1	4 228 74	4 228 79	630
			<b>Breaking capacity Icu 70 kA (400 V~)</b>
1	4 228 80	4 228 85	250
1	4 228 81	4 228 86	320
1	4 228 82	4 228 87	400
1	4 228 83	4 228 88	500
1	4 228 84	4 228 89	630
			<b>Breaking capacity Icu 100 kA (400 V~)</b>
1	4 228 90	4 228 95	250
1	4 228 91	4 228 96	320
1	4 228 92	4 228 97	400
1	4 228 93	4 228 98	500
1	4 228 94	4 228 99	630

## DPX<sup>3</sup> 630

### earth leakage modules



0 260 63

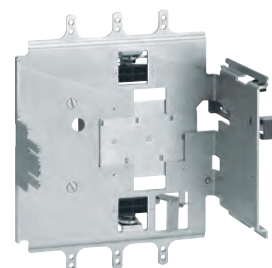
Pack	Cat.Nos		Earth leakage modules
			Can be fitted onto DPX <sup>3</sup> /DPX <sup>3</sup> -I 630 Adjustable, sealable sensitivity: 0.03 - 0.3 - 1 - 3 A Adjustable, time delay: 0 - 0.3 - 1 - 3 s Test push-button Reset push-button Remote earth fault signalling contact Switch for mechanical tests (installation insulation test) Mounted underneath 230-500 V $\sim$
			<b>Standard</b> In (A) 400 630
1	3P 0 260 60	4P 0 260 61	
1	0 260 64	0 260 65	
			<b>LED version</b> Monitors the isolation state of the installation via a series of LEDs In (A) 400 630
1	4P 0 260 63		
1	0 260 67		

## DPX<sup>3</sup> 630

### equipment and accessories



4 222 22



4 222 32

Pack	Cat.Nos		Plug-in version
			A plug-in is a DPX <sup>3</sup> fitted with special terminals and mounted on a plug-in base
			<b>Special terminals for plug-in/draw-out base</b> Set of incoming and outgoing terminals (6 terminals for 3P DPX <sup>3</sup> or 8 terminals for 4P DPX <sup>3</sup> )
1	3P 4 222 20	4P 4 222 21	
			<b>Bases for DPX<sup>3</sup> only</b> Accept DPX <sup>3</sup> /DPX <sup>3</sup> -I fitted with special terminals Front terminal mounting base Flat rear terminal mounting base
1	4 222 22	4 222 23	
1	4 222 24	4 222 25	
			<b>Bases for DPX<sup>3</sup> with earth leakage module</b> Front terminal mounting base Flat rear terminal mounting base
1	4P 4 222 26		
1	4 222 27		
			<b>Accessories</b> Set of 2 extractor handle Set of connectors (24-pin)
1	4 222 28		
1	4 222 29		
			<b>Draw-out version</b> A DPX <sup>3</sup> draw-out version is a plug-in DPX <sup>3</sup> fitted with a "Debro-lift" mechanism which can be used to withdraw the DPX <sup>3</sup> while keeping it on its base
			<b>"Debro-lift" mechanism</b> Supplied with a rigid slide and handle for drawing-out For DPX <sup>3</sup> base only For DPX <sup>3</sup> base with earth leakage module
1	3P 4 222 31	4P 4 222 32	
1		4 222 33	
			<b>Key-lock for "Debro-lift" mechanism</b> Enable locking of DPX <sup>3</sup> in drawn-out position Flat key n°HBA90GPS6149 Star key n°ABA90GEL6149 One key for DPX <sup>3</sup> only One key for motorised DPX <sup>3</sup> or with rotary handle
1	Flat key 0 265 76	Star key 0 263 48	
1	0 265 78	0 265 77	
			<b>Accessories for "Debro-lift" mechanism</b> Handle for drawing-out Signalling contact (plugged-in/drawn-out)
1	0 265 75		
1	0 265 74		
			<b>Auxiliary contacts</b> Automatic auxiliary contacts for DPX <sup>3</sup> draw-out version (up to 2 contacts by DPX <sup>3</sup> )
1	4 222 30		
			<b>Plates for transfer switches</b> Factory assembled A transfer switch plate is composed of one plate with interlock for 2 devices Plate for MCCB or trip-free switch fixed version Plate for MCCB or trip-free switch plug-in and draw-out version
1	0 264 09		
1	0 264 04		

# DPX<sup>3</sup> 630

## equipment and accessories (continued)



4 226 30



0 261 40



0 262 50



0 262 48

Pack	Cat.Nos	Rotary handles
1	0 262 41	<b>Direct on DPX<sup>3</sup></b>
1	4 222 38	Standard (grey) For emergency use (red/yellow) - can be fitted on Cat.Nos 0 262 22, 0 262 41 or 0 262 81
		<b>Vari-depth handle IP 55</b>
		Comprising: connection rod, bracket, self-adhesive drilling template, mounting accessories and door lock mechanism
1	0 262 81	Standard (grey)
1	0 262 82	For emergency use (red/yellow) can be fitted on Cat.Nos 0 262 81 or 0 262 41
		<b>Locking accessories</b>
		For vary-depth handle
1	4 228 04	Key barrel and Ronis key EL43525
1	4 228 05	Key barrel and Ronis key EL43363
1	0 262 93	Key barrel and flat key N° ABA90GEL6149
1	0 262 94	Key barrel and star key N° HBA90GPS6149
		<b>Motor-driven handles</b>
		<b>Front installation</b>
1	4 226 30	230 V~
		<b>Front installation - fast closing</b>
1	0 261 40	24 V~/=
1	0 261 41	48 V~/=
1	0 261 44	230 V~
		<b>Accessories</b>
1	0 261 59	Lock and flat key N° ABA90GEL6149
1	0 261 58	Lock and star key N° HBA90GPS6149

Pack	Cat.Nos	Accessories
1	0 262 30	<b>Insulated shields (phase barriers)</b> Set of 3
1	0 262 44   0 262 45	<b>Sealable terminal shields</b> Set of 2 3P   4P
1	0 262 40	<b>Padlock</b> For locking in "OPEN" position
1	0 262 50	<b>Cage terminals</b> Set of 4 terminals for cable 300 mm <sup>2</sup> max. (rigid) or 240 mm <sup>2</sup> max. (flexible)
1	0 262 51	Set of 4 high-capacity terminals for cable 2 x 240 mm <sup>2</sup> (rigid) or 2 x 185 mm <sup>2</sup> (flexible)
1	0 262 46	<b>Adaptor for lug</b> For connecting bare cables with wide lugs Set of 4 adaptors + insulated shields
1	0 262 47	<b>Extended front terminals</b> Set of 4
1	0 262 48   0 262 49	<b>Spreaders</b> Set of incoming or outgoing spreaders 3P   4P
1	0 263 52   0 263 53	<b>Rear terminals</b> Used to convert the fixed version with front terminals to the fixed version with rear terminals Set of incoming or outgoing flat terminals
1	4 222 34   4 222 35	<b>IP 20 terminal covers</b> Set of 2 terminal covers



## DPX<sup>3</sup> 1600 thermal magnetic release MCCBs

from 630 to 1250 A - fixing on plate



4 222 78



4 222 83

## DPX<sup>3</sup> 1600

S1 electronic release MCCBs from 630 to 1600 A - fixing on plate



4 225 59

Dimensions **p. 64-65**  
 Electrical characteristics **p. 66**

Moulded case MCCBs for switching, control isolation and protection of low voltage electrical lines

Can be fitted with auxiliaries (p. 50)

Can be used with residual current relays (p. 51)

Supplied complete with:

- connection plates for bars

- insulated shields (phase barriers)

Conform to IEC 60947-2 - Sealable adjustment

Can be mounted on plate in XL<sup>3</sup> and XL<sup>3</sup> S cabinets and enclosures

Dimensions **p. 64-65**  
 Electrical characteristics **p. 66**

Moulded case MCCBs for switching, control isolation and protection of low voltage electrical lines

Can be fitted with auxiliaries (p. 50)

Can be used with residual current relays (p. 51)

Do not accept DPX<sup>3</sup> electronic interface for Modbus Cat.No 4 210 75 (p. 50)

Supplied complete with:

- connection plates for bars

- insulated shields (phase barriers)

Conform to IEC 60947-2 - Sealable adjustment

Can be mounted on plate in XL<sup>3</sup> and XL<sup>3</sup> S cabinets and enclosures

Pack	Cat.Nos		MCCBs thermal magnetic release fixed version
			Thermal adjustable from 0.8 to 1 In Magnetic adjustable from 5 to 10 In
			<b>Breaking capacity Icu 36 kA (400 V~)</b>
		In (A)	
1	3P   4P	4 222 51   4 222 56	630
1		4 222 52   4 222 57	800
1		4 222 53   4 222 58	1000
1		4 222 54   4 222 59	1250
		3P + N/2	
1		4 222 60	1000
1		4 222 61	1250
		3P   4P	<b>Breaking capacity Icu 50 kA (400 V~)</b>
1		4 222 63   4 222 68	630
1		4 222 64   4 222 69	800
1		4 222 65   4 222 70	1000
1		4 222 66   4 222 71	1250
		3P + N/2	
1		4 222 72	1000
1		4 222 73	1250
		3P   4P	<b>Breaking capacity Icu 70 kA (400 V~)</b>
1		4 222 75   4 222 80	630
1		4 222 76   4 222 81	800
1		4 222 77   4 222 82	1000
1		4 222 78   4 222 83	1250
		3P + N/2	
1		4 222 84	1000
1		4 222 85	1250
		3P   4P	<b>Breaking capacity Icu 100 kA (400 V~)</b>
1		4 222 87   4 222 92	630
1		4 222 88   4 222 93	800
1		4 222 89   4 222 94	1000
1		4 222 90   4 222 95	1250
		3P + N/2	
1		4 222 96	1000
1		4 222 97	1250

Pack	Cat.Nos		MCCBs S1 electronic release fixed version
			Adjustment of Ir, I <sub>sd</sub> (p. 43) Instantaneous protection I <sub>f</sub> = 20 kA Green indicator lamp Connector for test unit Dynamic selectivity 4P version: adjustment of neutral on front panel
			<b>Breaking capacity Icu 36 kA (400 V~)</b>
		In (A)	
1	3P   4P	4 225 39   4 225 45	630
1		4 225 40   4 225 46	800
1		4 225 41   4 225 47	1000
1		4 225 42   4 225 48	1250
1		4 225 43   4 225 49	1600
		3P   4P	<b>Breaking capacity Icu 50 kA (400 V~)</b>
1		4 225 51   4 225 57	630
1		4 225 52   4 225 58	800
1		4 225 53   4 225 59	1000
1		4 225 54   4 225 60	1250
1		4 225 55   4 225 61	1600
		3P   4P	<b>Breaking capacity Icu 70 kA (400 V~)</b>
1		4 225 63   4 225 69	630
1		4 225 64   4 225 70	800
1		4 225 65   4 225 71	1000
1		4 225 66   4 225 72	1250
1		4 225 67   4 225 73	1600
		3P   4P	<b>Breaking capacity Icu 100 kA (400 V~)</b>
1		4 225 75   4 225 81	630
1		4 225 76   4 225 82	800
1		4 225 77   4 225 83	1000
1		4 225 78   4 225 84	1250

DPX<sup>3</sup>-I 1600 trip-free switches  
**p. 52**

DPX<sup>3</sup> 1600 magnetic release only  
**p. 53**

# DPX<sup>3</sup> 1600

## S10 configurable electronic release MCCBs from 630 to 1600 A - fixing on plate



Dimensions **p. 64-65**  
 Electrical characteristics **p. 66**

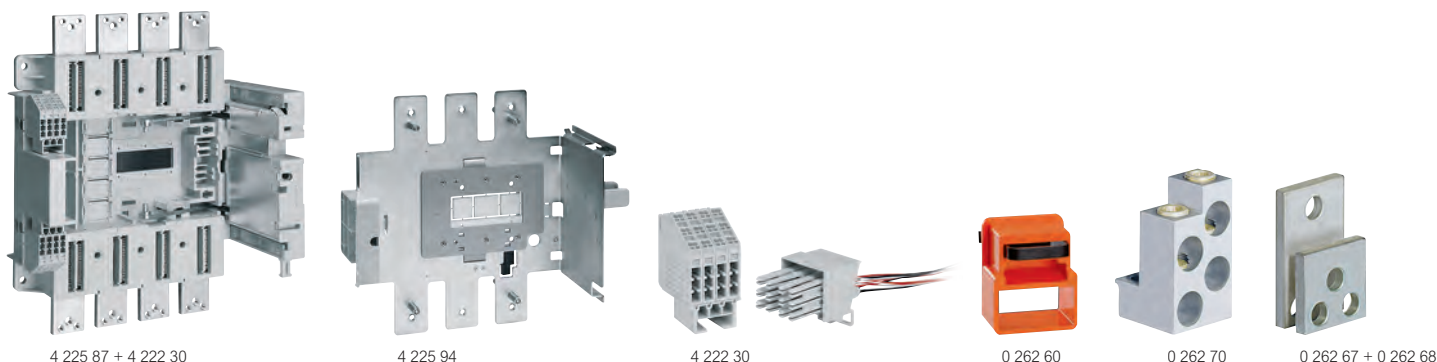
Moulded case MCCBs for switching, control isolation and protection of low voltage electrical lines  
 Can be fitted with auxiliaries (p. 50)  
 Can be used with residual current relays (p. 51)  
 Supplied complete with:  
 - connection plates for bars  
 - insulated shields (phase barriers)  
 Conform to IEC 60947-2 - Sealable adjustment  
 Can be mounted on plate in XL<sup>3</sup> and XL<sup>3</sup> S cabinets and enclosures

Pack	Cat.Nos		
			<b>MCCBs S10 configurable electronic release fixed version</b>
			Adjustment of $I_r$ , $I_{sd}$ , $I_i$ , $I_g$ , $t_r$ , $t_{sd}$ , $t_g$ directly on the MCCB or via software/App (p. 43) For connection to the App add a Bluetooth communication key Cat.No 0 283 10 (p. 50) Green indicator lamp Connector for test unit Logical selectivity 4P version: adjustment of neutral on front panel or by software or App
			<b>Breaking capacity Icu 36 kA (400 V~)</b>
	3P	4P	$I_n$ (A)
1	4 229 00	4 229 01	500
1	4 229 20	4 229 25	630
1	4 229 21	4 229 26	800
1	4 229 22	4 229 27	1000
1	4 229 23	4 229 28	1250
1	4 229 24	4 229 29	1600
			<b>Breaking capacity Icu 50 kA (400 V~)</b>
1	4 229 02	4 229 03	500
1	4 229 30	4 229 35	630
1	4 229 31	4 229 36	800
1	4 229 32	4 229 37	1000
1	4 229 33	4 229 38	1250
1	4 229 34	4 229 39	1600
			<b>Breaking capacity Icu 70 kA (400 V~)</b>
1	4 229 04	4 229 05	500
1	4 229 40	4 229 45	630
1	4 229 41	4 229 46	800
1	4 229 42	4 229 47	1000
1	4 229 43	4 229 48	1250
1	4 229 44	4 229 49	1600
			<b>Breaking capacity Icu 100 kA (400 V~)</b>
1	4 229 06	4 229 07	500
1	4 229 50	4 229 55	630
1	4 229 51	4 229 56	800
1	4 229 52	4 229 57	1000
1	4 229 53	4 229 58	1250

Pack	Cat.Nos		
			<b>MCCBs S10 configurable electronic release with energy metering central unit fixed version</b>
			Adjustment of $I_r$ , $I_{sd}$ , $I_i$ , $I_g$ , $t_r$ , $t_{sd}$ , $t_g$ directly on the MCCB or via software/App (p. 43) For connection to the App add a Bluetooth communication key Cat.No 0 283 10 (p. 50) Green indicator lamp Connector for test unit Logical selectivity 4P version: adjustment of neutral on front panel or by software or App For correct operation and power supply of metering function, see p. 50
			<b>Breaking capacity Icu 36 kA (400 V~)</b>
	3P	4P	$I_n$ (A)
1	4 229 08	4 229 09	500
1	4 229 60	4 229 65	630
1	4 229 61	4 229 66	800
1	4 229 62	4 229 67	1000
1	4 229 63	4 229 68	1250
1	4 229 64	4 229 69	1600
			<b>Breaking capacity Icu 50 kA (400 V~)</b>
1	4 229 10	4 229 11	500
1	4 229 70	4 229 75	630
1	4 229 71	4 229 76	800
1	4 229 72	4 229 77	1000
1	4 229 73	4 229 78	1250
1	4 229 74	4 229 79	1600
			<b>Breaking capacity Icu 70 kA (400 V~)</b>
1	4 229 12	4 229 13	500
1	4 229 80	4 229 85	630
1	4 229 81	4 229 86	800
1	4 229 82	4 229 87	1000
1	4 229 83	4 229 88	1250
1	4 229 84	4 229 89	1600
			<b>Breaking capacity Icu 100 kA (400 V~)</b>
1	4 229 14	4 229 15	500
1	4 229 90	4 229 95	630
1	4 229 91	4 229 96	800
1	4 229 92	4 229 97	1000
1	4 229 93	4 229 98	1250

# DPX<sup>3</sup> 1600

## equipment and accessories



Pack	Cat.Nos	Draw-out version	Pack	Cat.Nos	Motor-driven handles
		A DPX <sup>3</sup> draw-out version is a DPX <sup>3</sup> fitted with draw-out base and a "Debro-lift" mechanism which can be used to withdraw the DPX <sup>3</sup> while keeping it on its base			<b>Factory assembled</b> Front operated 230 V~
		<b>Draw-out base</b> For DPX <sup>3</sup> 1600 equipped with "Debro-lift" mechanism Cat.No 4 225 93 or 4 225 94			<b>Customer assembled</b> Front operated
1	3P   4P 4 225 86   4 225 87	Front terminals	1	0 261 24	24 V~ / = for I <sub>n</sub> ≤ 1250 A
1	4 225 88   4 225 89	Rear terminals	1	0 261 25	48 V~ / = for I <sub>n</sub> ≤ 1250 A
		<b>Debro-lift mechanism</b> For DPX <sup>3</sup> 1600	1	0 261 26	110 V~ / = for I <sub>n</sub> ≤ 1250 A
1	4 225 93   4 225 94	To be fitted on a DPX <sup>3</sup> 1600 fixed version in order to obtain the movable part of a draw-out circuit breaker	1	0 261 23	230 V~ / = for I <sub>n</sub> ≤ 1250 A
		<b>Key-lock for "Debro-lift" mechanism</b> Enable locking of DPX <sup>3</sup> in drawn-out position Flat key n°HBA90GPS6149 Star key n°ABA90GEL6149	1	0 261 19	24 V~ / = for I <sub>n</sub> = 1600 A
1	Flat key   Star key 0 265 76   0 263 48	One key for DPX <sup>3</sup> only	1	0 261 28	48 V~ / = for I <sub>n</sub> = 1600 A
1	0 265 80   0 265 79	Two key (one key supplied) for motorised DPX <sup>3</sup> or with rotary handle	1	0 261 29	110 V~ / = for I <sub>n</sub> = 1600 A
		<b>Accessories for "Debro-lift" mechanism</b> Handle for drawing-out	1	0 261 27	230 V~ / = for I <sub>n</sub> = 1600 A
1	0 265 75	Signalling contact (plugged-in/drawn-out)			<b>Locking accessories</b> Key and flat key N° ABA90GEL6149 Key and star key N° HBA90GPS6149
1	0 265 74		1	0 261 59	
		<b>Auxiliary contacts</b> Automatic auxiliary contacts for DPX <sup>3</sup> draw-out version (up to 2 contacts by DPX <sup>3</sup> )	1	0 261 58	
1	4 222 30				<b>Accessories</b>
		<b>Plates for transfer switches</b>			<b>Insulated shields (phase barriers)</b> Used to isolate the connections between each pole Set of 3
1	0 264 10	A transfer switch plate is composed of one plate with interlock for 2 devices Plate for MCCBs or trip-free switch fixed version	1	0 262 66	
1	0 264 05	Plate for MCCBs or trip-free switch plug-in and draw-out version	1	3P   4P 0 262 64   0 262 65	<b>Sealable terminal shields</b> Set of 2
		<b>Rotary handles</b>			<b>Padlock</b> For locking in "open" position
1	0 262 61	<b>Direct on DPX<sup>3</sup></b> Standard (black)	1	0 262 60	
		<b>Vari-depth handle IP 55</b> Comprising: connection rod, bracket, self-adhesive drilling template, mounting accessories and door lock mechanism	1	0 262 69	<b>Cage terminals</b> Set of 1 terminal for cables without lug 2 x 240 mm <sup>2</sup> for rigid cable or 2 x 185 mm <sup>2</sup> for flexible cable Set of 1 high-capacity terminal for cables without lug 4 x 240 mm <sup>2</sup> for rigid cable 4 x 185 mm <sup>2</sup> for flexible cable
1	0 262 83	Standard (black)	1	0 262 70	
1	0 262 84	For emergency use (red/yellow)			<b>Extended front terminals</b> Set for 1 pole Terminals for 630 - 1250 A (2 bars max. per pole) Terminals for 1600 A (3 bars max. per pole)
		<b>Locking accessories</b> Key barrel and flat key N° ABA90GEL6149 Key barrel and star key N° HBA90GPS6149	1	0 262 67	
1	0 262 93		1	0 262 68	
1	0 262 94		1	3P   4P 0 262 73   0 262 74	<b>Spreaders</b> Set of incoming or outgoing spreaders
					<b>Rear terminals</b> Used to convert the fixed version with front terminals to the fixed version with rear terminals Set of incoming or outgoing rear terminals Short terminals
			1	0 263 80   0 263 82	
			1	0 263 81   0 263 83	Long terminals
			1	4 225 90   4 225 91	<b>IP 20 terminal covers</b> Set of 2 terminal covers
			1	4 225 92	<b>External neutral</b> External neutral

For the old range of accessories for DPX 1600 draw-out version  
**Please, consult us**

## DPX<sup>3</sup> 630 and 1600

common auxiliaries



4 222 42



4 222 48

Pack	Cat.Nos	Auxiliary contact or fault signal
1	4 210 11	For signalling the state of the contacts or opening of the MCCB on a fault For DPX <sup>3</sup> /DPX <sup>3</sup> -I Changeover switch 3 A - 240 V~

### Shunt releases

Allow remote tripping of a DPX<sup>3</sup> or DPX<sup>3</sup>-I 630 and DPX<sup>3</sup> 1600  
Shunt inrush power 300 VA

1	4 222 39	Coil voltage 24 V~ / =
1	4 222 40	Coil voltage 48 V~ / =
1	4 222 41	Coil voltage 110 V~ / =
1	4 222 42	Coil voltage 230 V~ / =
1	4 222 43	Coil voltage 400 V~ / =

### Undervoltage releases

Allow remote tripping of a DPX<sup>3</sup> or DPX<sup>3</sup>-I 630 and 1600  
Consumption: 5 VA

1	4 222 44	24 V=
1	4 222 45	24 V~
1	4 222 46	48 V=
1	4 222 47	110-125 V~
1	4 222 48	220-240 V~
1	4 222 49	380-415 V~

### Time-lag (800 ms) undervoltage release

Allow remote tripping of a DPX<sup>3</sup>/DPX<sup>3</sup>-I 630 or 1600  
Prevents false tripping in the event of power supply microbreaks

#### Time-lag modules

		Number of modules
1	0 261 90	3
1	0 261 91	3

#### Release

To be equipped with a time-lag module Cat.Nos 0 261 90/91  
For DPX<sup>3</sup>/DPX<sup>3</sup>-I 630 and 1600

## DPX<sup>3</sup> 160 / 250 / 250 HP / 630 / 1600

power supply and supervision system



4 238 90



0 283 10



0 261 56

Pack	Cat.Nos	Auxiliary power supply for DPX <sup>3</sup>
1	4 210 83	For supplying DPX <sup>3</sup> electronic units when the circuit breaker is open or when the current passing through it is insufficient Input voltage 24 V~ / = 2 modules Output 250 mA: can supply several circuit breakers Consumption: - Electronic DPX <sup>3</sup> : 50 mA - Electronic DPX <sup>3</sup> with measurement: 62.5 mA - Electronic DPX <sup>3</sup> with residual current protection: 50 mA - Electronic DPX <sup>3</sup> with residual current protection and measurement: 62.5 mA

### Communication interfaces

#### DPX<sup>3</sup> electronic interface - RS485 Modbus

For connecting electronic DPX<sup>3</sup> (except DPX<sup>3</sup> 630 S1 electronic release and DPX<sup>3</sup> 1600 S1 electronic release) to an RS485 Modbus communication network.

All the information managed by the circuit breaker's electronic card will be shared on the Modbus network

Dimension: 2 modules

Power supply: 24 V~ / =

RS 485 link (2-wire)

Address, speed and coding can be modified with configurator kit

1	4 210 75	
---	----------	--

#### DPX<sup>3</sup> electronic interface - EMS CX<sup>3</sup>

For connecting electronic DPX<sup>3</sup> S10 (250HP, 630, 1600) to an EMS communication network

All the informations managed by circuit breaker's electronic card will be shared on the EMS network  
Dimension: 1 module

Power supply: with EMS CX<sup>3</sup> power supply module  
Cat. No 4 149 45

Address can be modified and set locally by DIP switches or remotely with the help of the EMS configurator software

1	4 238 90	
---	----------	--

### Bluetooth communication key

USB key for BLE communication with electronic DPX<sup>3</sup> S10 (250 HP, 630, 1600) to configure, monitor and manage it remotely through App  
Connection port USB on front of the circuit breaker

1	0 283 10 <sup>1</sup>	
---	-----------------------	--

### Modular power supply

230 V~ - 27 V= - 0.6 A  
2 modules

1	Bticino BT-E49	
---	-------------------	--

### Door mounting touch screen

Optional touch screen allowing to:  
- visualize information coming from DX<sup>3</sup>, DPX<sup>3</sup> and DMX<sup>3</sup> protection devices and EMDX<sup>3</sup> multi-function measuring units and  
- control protection devices equipped with the universal control module Cat.No 4 149 32

Can manage up to 9 devices

Power supply: 18-30 V =

IP connection

For mounting on door or solid faceplate

Door cut: 92 x 92 mm

1	0 261 56	
---	----------	--

1: EnerUp + Project App for smartphone and tablet available on Apple Store and Google Play  
Configuration, monitoring and management software (PCS) available for download via e-catalogue (does not require the use of Bluetooth communication key Cat.No 0 283 10)



## Residual current relay and coils



Add residual current protection to DPX<sup>3</sup> trip-free switches and DPX<sup>3</sup> MCCBs equipped with release

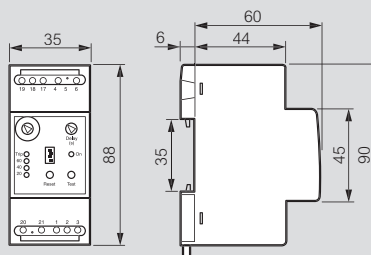
Pack	Cat.Nos	Residual current relay	Number of modules
1	0 260 88	<p>Detects fault currents, and, when used with a shunt trip or an undervoltage release, it gives the trip command to a MCCB or a switch</p> <ul style="list-style-type: none"> <li>Comprises:               <ul style="list-style-type: none"> <li>a tinged, sealable window</li> <li>an auxiliary contact</li> <li>a green Led indicating energisation</li> <li>3 yellow Leds indicating respectively the max. phase earth insulation current: 20, 40 and 60 %</li> <li>a red Led indicating</li> </ul> </li> <li>Fixed: exceeding of the insulation fault current value</li> <li>Flashing: breaking of one of the connections between coils and relays</li> <li>For use with coils:               <ul style="list-style-type: none"> <li>Ø35 and 80 mm</li> <li>Adjustable sensitivity: 0.03, 0.05, 0.075, 0.1, 0.15, 0.2, 0.3, 0.5, 0.75, 1, 1.5, 2, 3, 5, 7.5, 10, 15, 20, 30 A</li> <li>Ø110 to 210 mm</li> <li>Adjustable sensitivity: 0.3, 0.5, 0.75, 1, 1.5, 2, 3, 5, 7.5, 10, 15, 20, 30 A</li> <li>Ø150 mm</li> <li>Adjustable sensitivity: 0.5, 0.75, 1, 1.5, 2, 3, 5, 7.5, 10, 15, 20, 30 A</li> <li>Ø300 mm</li> <li>Adjustable sensitivity: 1, 1.5, 2, 3, 5, 7.5, 10, 15, 20, 30 A</li> <li>Adjustable trip: 0, 0.15, 0.25, 0.5, 1, 2.5, 5 seconds</li> <li>Supply voltage: 230/240 V - 50/60 Hz</li> </ul> </li> </ul>	2
<b>Coils</b>			
1	0 260 92	Coil Ø35 mm	
1	0 260 93	Coil Ø80 mm	
1	0 260 94	Coil Ø110 mm	
1	0 260 95	Coil Ø140 mm	
1	0 260 96	Coil Ø210 mm	
1	0 260 97	Coil Ø150 mm - open	
1	0 260 98	Coil Ø310 mm - open	

## Residual current relay and coils

### technical characteristics

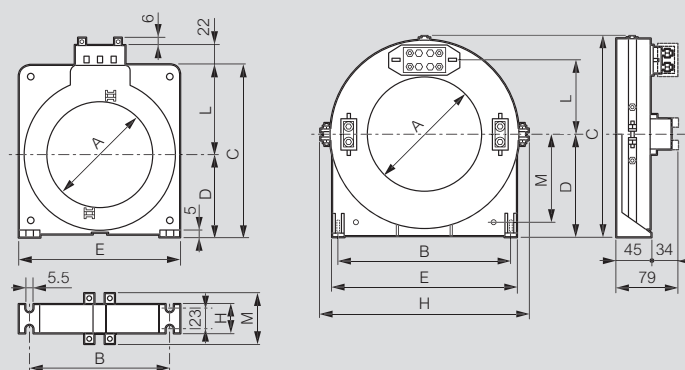
#### Residual current relay

Cat.No 0 260 88



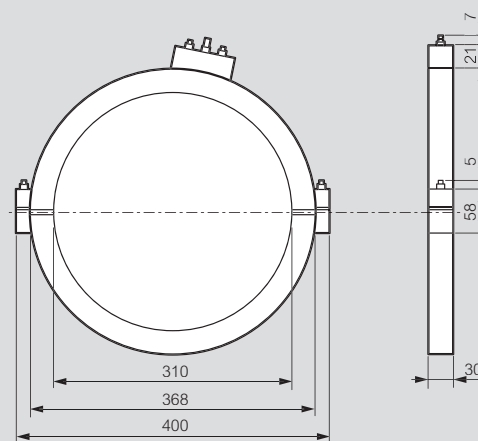
#### Coils

Cat.Nos 0 260 92/93/94/95/96 Cat.No 0 260 97



Cat.Nos	A	B	C	D	E	H	L	M
0 260 92	35	75	85	42	92	36	43	56
0 260 93	80	108	132	67	125	36	65	56
0 260 94	110	148	170	86	165	36	84	56
0 260 95	140	177	206	104	200	36	102	56
0 260 96	210	270	295	150	290	44	145	64
0 260 97	150	225	259	133	245	275	95	113

Cat.No 0 260 98



## DPX<sup>3</sup>-I trip-free switches

160 to 1600 A



Dimensions p. 56, 50 - 60 and 62 - 65

Trip-free switches for on-load circuit breaking and isolation of low voltage electrical circuits

Can be associated to earth leakage modules or to corresponding DPX<sup>3</sup> residual current relays

Conform to IEC 60947-3

Category of use AC 23 A

Connection identical to corresponding DPX<sup>3</sup>

Pack	Cat.Nos	DPX <sup>3</sup> -I 160
1	3P 4 201 98   4P 4 201 99	In (A) 160 Mounting on rail with plate Cat.No 4 210 71 (p. 26)
1	4P with earth leakage module 4 201 97	160 Mounting on rail with plate Cat.No 4 210 73 (p. 26)
1	3P 4 202 99   4P 4 203 00	In (A) 250 Mounting on rail with plate Cat.No 4 210 72 (p. 30)
1	4P with earth leakage module 4 202 98	250 Mounting on rail with plate Cat.No 4 210 74 (p. 30)
1	3P 4 231 84   4P 4 231 85	In (A) 125
1	-   4 231 87	125 with earth leakage module
1	3P 4 231 88   4P 4 231 89	In (A) 160
1	-   4 231 91	160 with earth leakage module
1	3P 4 231 80   4P 4 231 81	In (A) 250
1	-   4 231 83	250 with earth leakage module
1	3P 4 222 16   4P 4 222 18	In (A) 400
1	4 222 17   4 222 19	630
1	3P 4 224 90   4P 4 224 94	In (A) 630
1	4 224 91   4 224 95	800
1	4 224 92   4 224 96	1250
1	4 224 93   4 224 97	1600

## DPX<sup>3</sup> magnetic release only

MCCBs from 16 to 1250 A for motor protection

Dimensions p. 56  
Electrical characteristics see e-catalogue

Moulded case MCCBs for switching, control isolation and protection of three-phase motors

Can be fitted with auxiliaries (p. 31)

Supplied with: fixing screws and insulated shields (phase barriers)

Conform to IEC 60947-2

Pack	Cat.Nos	DPX <sup>3</sup> 160
		Magnetic fixed Can be mounted on  rail plate in XL <sup>3</sup> and XL <sup>3</sup> S cabinets and enclosures Supplied with cage terminals 70 mm <sup>2</sup> max.flexible cable or 95 mm <sup>2</sup> max. rigid cable with accessories
		<b>Breaking capacity Icu 16 kA (400 V<sub>~</sub>)</b>
1	3P 4 207 10	In (A) 16
1	4 207 11	25
1	4 207 12	50
1	4 207 13	63
1	4 207 14	<b>Breaking capacity Icu 25 kA (400 V<sub>~</sub>)</b>
1	4 207 15	16
1	4 207 16	25
1	4 207 17	50
1	4 207 17	63
		<b>DPX<sup>3</sup> 250</b>
		Magnetic fixed Can be mounted on  rail plate in XL <sup>3</sup> and XL <sup>3</sup> S cabinets and enclosures Supplied with cage terminals 95 mm <sup>2</sup> max.flexible cable or 120 mm <sup>2</sup> max. rigid cable with accessories
		<b>Breaking capacity Icu 36 kA (400 V<sub>~</sub>)</b>
1	3P 4 207 18	In (A) 100
1	4 207 19	160
1	4 207 20	200
1	4 207 21	250
1	3P+N 8 002 49	250
1	4P 8 002 59	250
		<b>Breaking capacity Icu 70 kA (400 V<sub>~</sub>)</b>
1	3P 4 207 22	100
1	4 207 23	160
1	4 207 24	200
1	4 207 25	250

## DPX<sup>3</sup> magnetic release only

MCCBs from 16 to 1250 A for motor protection (continued)



4 239 33



4 239 45

Dimensions **p. 59 and 62 - 65**  
Electrical characteristics **see e-catalogue**

Moulded case MCCBs for switching, control isolation and protection of three-phase motors

Can be fitted with auxiliaries (p. 41 and 50)

Supplied with: screws for connections, fixing screws and insulated shields (phase barriers)

Conform to IEC 60947-2

Pack	Cat.Nos		DPX <sup>3</sup> 250 HP
			Magnetic adjustable from 6 to 14 In Can be mounted on plate in XL <sup>3</sup> and XL <sup>3</sup> S cabinets and enclosures
			<b>Breaking capacity Icu 36 kA (400 V~)</b>
			In (A)
1	3P 4 239 01	4P 4 239 13	6.3
1	4 239 02	4 239 14	12.5
1	4 239 03	4 239 15	25
1	4 239 04	4 239 16	32
1	4 239 05	4 239 17	50
1	4 239 06	4 239 18	80
1	4 239 07	4 239 19	100
1	4 239 08	4 239 20	160
1	4 239 09	4 239 21	220
			<b>Breaking capacity Icu 50 kA (400 V~)</b>
1	4 239 25	4 239 37	6.3
1	4 239 26	4 239 38	12.5
1	4 239 27	4 239 39	25
1	4 239 28	4 239 40	32
1	4 239 29	4 239 41	50
1	4 239 30	4 239 42	80
1	4 239 31	4 239 43	100
1	4 239 32	4 239 44	160
1	4 239 33	4 239 45	220
			<b>Breaking capacity Icu 70 kA (400 V~)</b>
1	4 239 49	4 239 61	6.3
1	4 239 50	4 239 62	12.5
1	4 239 51	4 239 63	25
1	4 239 52	4 239 64	32
1	4 239 53	4 239 65	50
1	4 239 54	4 239 66	80
1	4 239 55	4 239 67	100
1	4 239 56	4 239 68	160
1	4 239 57	4 239 69	220
			<b>Breaking capacity Icu 100 kA (400 V~)</b>
1	4 239 73	4 239 85	6.3
1	4 239 74	4 239 86	12.5
1	4 239 75	4 239 87	25
1	4 239 76	4 239 88	32
1	4 239 77	4 239 89	50
1	4 239 78	4 239 90	80
1	4 239 79	4 239 91	100
1	4 239 80	4 239 92	160
1	4 239 81	4 239 93	220

Pack	Cat.Nos		DPX <sup>3</sup> 630
			Magnetic adjustable up to 10 In Can be mounted on plate in XL <sup>3</sup> and XL <sup>3</sup> S cabinets and enclosures
			<b>Breaking capacity Icu 36 kA (400 V~)</b>
			In (A)
1	3P 4 226 08	4P 4 226 16	320 with electronic release
1	4 226 09	4 226 17	400
1	4 226 09	4 226 17	400 with electronic release
1	4 226 09	4 226 17	500
1	4 226 00	4 226 17	630
			<b>Breaking capacity Icu 70 kA (400 V~)</b>
1	4 226 10	4 226 18	320 with electronic release
1	4 226 01	4 226 18	400
1	4 226 11	4 226 18	400 with electronic release
1	4 226 02	4 226 19	500
1	4 226 03	4 226 19	630
			<b>DPX<sup>3</sup> 1600</b>
			Magnetic adjustable up to 10 In Can be mounted on plate in XL <sup>3</sup> and XL <sup>3</sup> S cabinets and enclosures
			<b>Breaking capacity Icu 50 kA (400 V~)</b>
			In (A)
1	3P 4 226 04	4P 4 226 12	800
1	4 226 05	4 226 13	1000
			<b>Breaking capacity Icu 70 kA (400 V~)</b>
1	4 226 06	4 226 14	800
1	4 226 07	4 226 15	1000

# Automatic transfer switch control units



4 226 81



4 226 82 + 4 226 88



4 226 83



4 226 84



4 226 86



4 226 89

Technical characteristics and configuration software [see e-catalogue](#)

They can control transfer switching between sources, manage generator start/stop, control single phase, two-phase and three-phase networks, control phase-phase and phase-neutral voltages  
For DPX<sup>3</sup> and DMX<sup>3</sup> circuit breakers and CTX<sup>3</sup> contactors

Pack	Cat.Nos	Automatic transfer switch control units	Pack	Cat.Nos	Dual power supply selector
1	4 226 81 <sup>1</sup>	<b>For standard management of 2 circuit breakers</b> 6 programmable digital inputs and 7 programmable relay outputs LCD display IR communication port on the front panel for connection of USB or WiFi modules Cat.Nos 4 226 87/88 Can be configured with the help of front panel touch keys or of the Legrand dedicated software Power supply: 110-240 V~ IP40	1	4 226 86	Dual power supply selector measures and controls two supply voltages at its inputs (single phase, 230 V~) and selects the most adapted voltage for auxiliary circuits supply Equipped with 1 alarm contact, if no supply voltage can be selected within the limits
1	4 226 82 <sup>1</sup>	<b>For advanced management of 2 circuit breakers</b> 6 programmable digital inputs and 7 programmable relay outputs Can be equipped with maximum 2 plug-in modules between: - extension modules Cat.Nos 4 226 90/91/92 - opto-isolated RS485 communication interface Cat.No 4 226 89 LCD display IR communication port on the front panel for connection of USB or WiFi modules Cat.Nos 4 226 87/88 Can be configured with the help of front panel touch keys or of the Legrand dedicated software Power supply: 12-24 V= ; 110-240 V~ IP40	1	4 226 89	<b>Plug-in modules</b> 4 226 89 Opto-isolated RS485 interface 4 226 90 4 opto-isolated static outputs 4 226 91 2 relay outputs, rated 5 A 250 V~ 4 226 92 2 opto-isolated digital inputs and 2 relay outputs rated 5 A 250 V~
1	4 226 83 <sup>1</sup>	<b>For advanced management of 3 circuit breakers and 2 power sources</b> 8 programmable digital inputs and 7 programmable relay outputs Can be equipped with maximum 3 plug-in extension modules between Cat.Nos 4 226 90/91/92 Integrated opto-isolated RS485 communication interface LCD display IR communication port on the front panel for connection of USB or WiFi modules Cat.Nos 4 226 87/88 Can be configured with the help of front panel touch keys or of the Legrand dedicated software Power supply: 12-24-48 V= ; 110-240 V~ IP65	1	4 226 92	
1	4 226 84 <sup>1</sup>	<b>For advanced management of 5 circuit breakers and 3 power sources</b> 12 programmable digital inputs and 11 programmable relay outputs Can be equipped with maximum 3 plug-in extension modules between Cat.Nos 4 226 90/91/92 Integrated opto-isolated RS485 communication interface LCD display IR communication port on the front panel for connection of USB or WiFi modules Cat.Nos 4 226 87/88 Can be configured with the help of front panel touch keys or of the Legrand dedicated software Power supply: 12-24-48 V= ; 110-240 V~ IP65 Must be factory configured to fit installation needs Please ask for ATS order form.	1	4 226 87 <sup>1</sup>	
			1	4 226 88 <sup>1</sup>	
					<b>Communication accessories</b> These communication devices can be used to connect automatic transfer switch controllers to a computer; smartphone or tablet For programming, downloading data, diagnostics and upgrading the firmware <b>USB front connector</b> 4 226 87 <sup>1</sup> Computer connection cable with USB connector The computer identifies the connection as a standard USB connection. There is no need to switch off the controller power supply <b>Wi-Fi front connector</b> 4 226 88 <sup>1</sup> Wi-Fi connection device compatible with computers, smartphones and tablets There is no need to switch off the controller power supply

<sup>1</sup>: Configuration software available for download via e-catalogue  
 ACU Configurator app for smartphone and tablet available on Apple Store and Google Play



# Automation control units for transfer switches

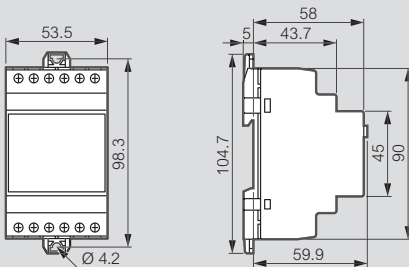
## technical characteristics and dimensions

### Technical characteristics

		Cat.Nos			
		4 226 81	4 226 82	4 226 83	4 226 84
Voltage inputs	Ue max rated voltage	100-480 V~	100-480 V~	100-600 V~ L-L (346 V~ L-N)	100-600 V~ L-L (346 V~ L-N)
	Measuring range	50-576 V~ (L-L)	50-576 V~ (L-L)	50-720 V~ (L-L)	50-720 V~ (L-L)
	Frequency range	45...65 Hz 360...440 Hz	45...65 Hz 360...440 Hz	45...65 Hz 360...440 Hz	45...65 Hz 360...440 Hz
	Measurement type	True RMS value	True RMS value	True RMS value	True RMS value
	Connection modes	Single phase, two-phase or three-phase system with or without neutral	Single phase, two-phase or three-phase system with or without neutral	Single phase, two-phase or three-phase system with or without neutral	Single phase, two-phase or three-phase system with or without neutral
	Measuring error	± 0.25% f.s. ± 1 digit	± 0.25% f.s. ± 1 digit	± 0.25% f.s. ± 1 digit	± 0.25% f.s. ± 1 digit
Ambient conditions	Operating temperature	-30... +70 °C	-30... +70 °C	-30... +70 °C	-30... +70 °C
	Storage temperature	-30...+80 °C	-30...+80 °C	-30...+80 °C	-30...+80 °C
	Relativity humidity	80 % (IEC/EN 60068-2-78)	80 % (IEC/EN 60068-2-78)	80 % (IEC/EN 60068-2-78)	80 % (IEC/EN 60068-2-78)
	Maximum pollution degree	2	2	2	2
	Overvoltage category	3	3	3	3
	Measurement category	III	III	III	III
	Rated impulse withstand voltage	Uimp 7.3 kV	Uimp 7.3 kV	Uimp 7.3 kV	Uimp 7.3 kV
	Protection index	IP 40	IP 40	IP 65	IP 65
Functionalities	Inputs	6 programmables	6 programmables	8 programmables	12 programmables
	Outputs	7 relay programmables	7 relay programmables	7 relay programmables	11 relay programmables
	Expandibility	No	Yes (2 modules)	Yes (3 modules)	Yes (3 modules)
	ModBus	No	Yes, with expansion module RS485	Yes, embedded RS485	Yes, embedded RS485
	Storage	No	Yes, 100 most recent events	Yes, 250 most recent events	Yes, 250 most recent events
	Programming	USB or WiFi (Direct on front panel or with comm module and Legrand software or App)			

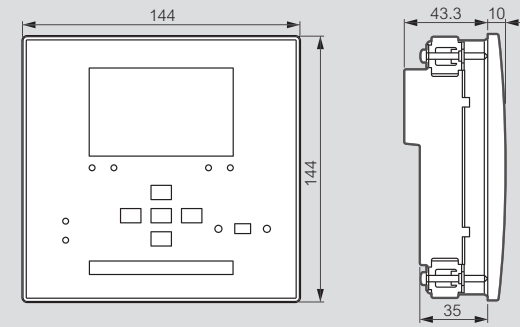
### Dimensions

#### Cat.No 4 226 86

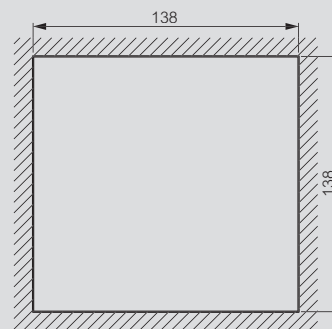


### Dimensions (continued)

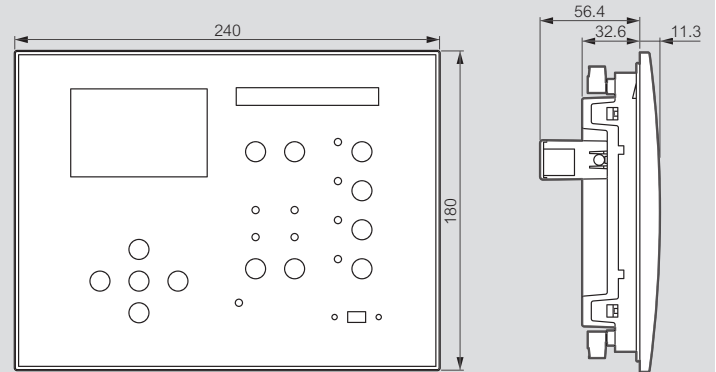
#### Cat.Nos 4 226 81/82



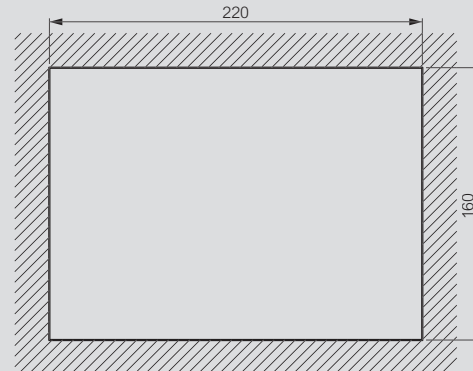
#### Door cut



#### Cat.Nos 4 226 83/84



#### Door cut

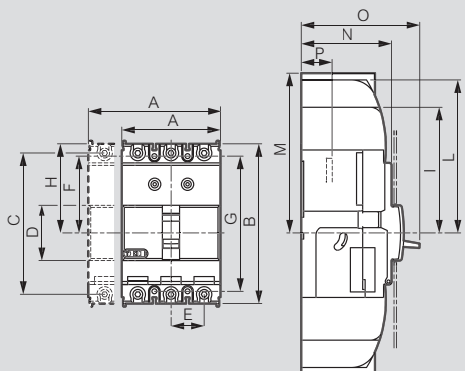


# DPX<sup>3</sup> 160/250

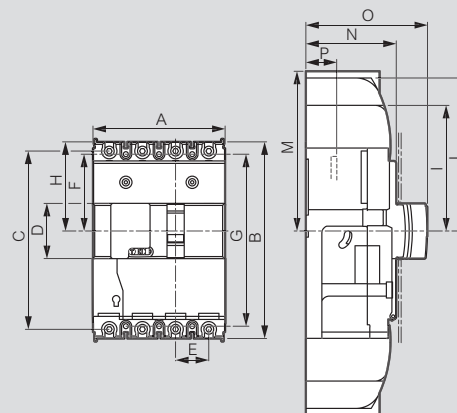
## technical characteristics

### DPX<sup>3</sup> 160 thermal magnetic dimensions

#### Fixed version



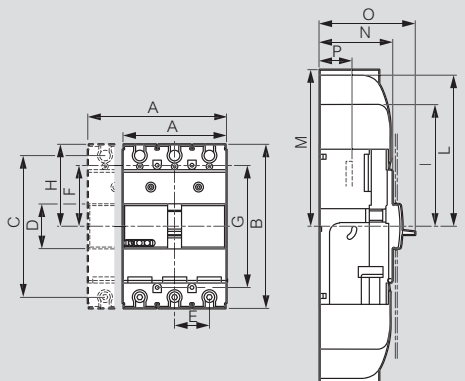
#### Fixed version with earth leakage module



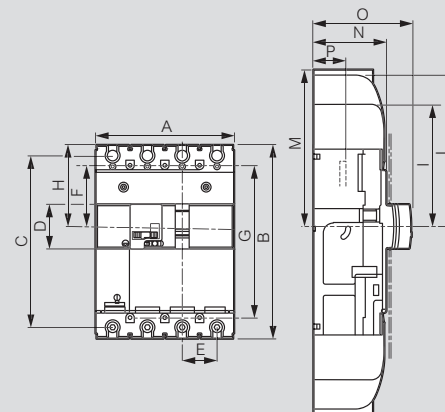
	A	B	C	D	E	F	G	H	I	L	M	N	O	P
3P	81	130	115	45	27	62.5	110	72.5	102.5	125	-	74	100	18
4P	108	130	115	45	27	62.5	110	72.5	102.5	125	-	74	100	18
e.l.c.bs	108	160	145	45	27	62.5	140	72.5	102.5	125	-	74	100	18

### DPX<sup>3</sup> 250 thermal magnetic and electronic release dimensions

#### Fixed version



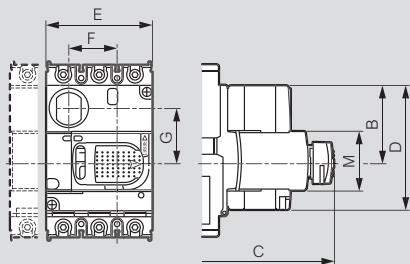
#### Fixed version with earth leakage module



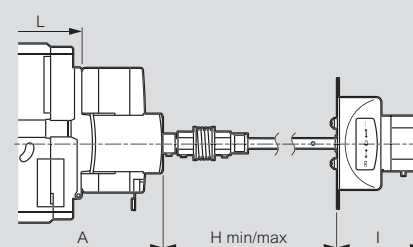
	A	B	C	D	E	F	G	H	I	L	M	N	O	P
3P	105	165	142.5	45	35	61.5	123	82.5	112.5	150	-	74	100	18
4P	140	165	142.5	45	35	61.5	123	82.5	112.5	150	-	74	100	18
e.l.c.bs	140	195	172.5	45	35	61.5	153	82.5	112.5	150	-	74	100	18

### Dimensions

#### Direct rotary handles Cat.Nos 4 210 00/01/02/03



#### Vari-depth rotary handles Cat.Nos 4 210 04/05



	A	B	C	D	E	F	G	H min	H max	I	L	M
160	122	57	155	94	80.5	36.5	41.7	132	361	62	74	45
160 with e.l.c.bs	122	57	155	94	93	36.5	41.7	132	361	62	74	45
250	122	57	155	94	80.5	40.5	41.7	132	361	62	74	45
250 with e.l.c.bs	122	57	155	94	93	40.5	41.7	132	361	62	74	45
250 electronic release	122	57	155	94	93	40.5	41.7	132	361	62	74	45
250 electronic release with e.l.c.bs	122	57	155	94	93	40.5	41.7	132	361	62	74	45

# DPX<sup>3</sup> 160/250

## Technical characteristics (at 40 °C and 50 °C)

MCCBs		DPX <sup>3</sup> 160 thermal magnetic				DPX <sup>3</sup> 160 with electronic earth leakage module			
		16 kA	25 kA	36 kA	50 kA	16 kA	25 kA	36 kA	50 kA
Nominal current In (A)		16-25-40-63-80-100-125-160				16-25-40-63-80-100-125-160			
Rated insulation voltage (V)	50-60Hz	800				500			
Rated operational voltage (V)	50-60Hz	690				500			
Rated impulse withstand current Uimp (kV)		8				6			
Category of use		A				A			
Ultimate breaking capacity (kA) in AC	220/240 V~	25	35	50	65	25	35	50	65
	380/415 V~	16	25	36	50	16	25	36	50
	440/460 V~	10	18	25	30	10	18	25	30
	480/500 V~	8	10	12	15	8	10	12	15
	600 V~	6	8	10	12	-	-	-	-
690 V~	5	5	8	10	-	-	-	-	
Standard breaking capacity Ics (% Icu)		100	100	100	100	100	100	100	100
Short-circuit making capacity Icm (kA)	415 V~	32	52.5	75.6	105	32	52.5	75.6	105

MCCBs		DPX <sup>3</sup> 250 thermal magnetic			DPX <sup>3</sup> 250 thermal magnetic with electronic earth leakage module		
		25 kA	36 kA	50 kA	25 kA	36 kA	50 kA
Nominal current In (A)		100-160-200-250			100-160-200-250		
Rated insulation voltage (V)	50-60Hz	800 (with integrated e.l.c.bs: 500)			800 (with integrated e.l.c.bs: 500)		
Rated operational voltage (V)	50-60Hz	690 (with integrated e.l.c.bs: 500)			690 (with integrated e.l.c.bs: 500)		
Rated impulse withstand current Uimp (kV)		8			8		
Category of use		A			A		
Ultimate breaking capacity (kA) in AC	220/240 V~	40	60	80	40	60	80
	380/415 V~	25	36	50	25	36	50
	440/460 V~	20	30	40	20	30	40
	480/500 V~	10	25	30	8	16	18
	600 V~	9	20	22	-	-	-
690 V~	8	16	18	8	16	18	
Standard breaking capacity Ics (% Icu)		100	100	100	100	100	100

MCCBs		DPX <sup>3</sup> 250 electronic release			DPX <sup>3</sup> 250 electronic release		
		25 kA	36 kA	50 kA	25 kA	36 kA	50 kA
Nominal current In (A)		40-100-160-250			40-100-160-250		
Rated insulation voltage (V)	50-60Hz	800 (with integrated e.l.c.bs: 500)			800 (with integrated e.l.c.bs: 500)		
Rated operational voltage (V)	50-60Hz	690 (with integrated e.l.c.bs: 500)			690 (with integrated e.l.c.bs: 500)		
Rated impulse withstand current Uimp (kV)		6			6		
Category of use		A			A		
Ultimate breaking capacity (kA) in AC	220/240 V~	40	60	80	40	60	80
	380/415 V~	25	36	50	25	36	50
	440/460 V~	20	30	40	20	30	40
	480/500 V~	10	25	30	8	16	18
	600 V~	9	20	22	-	-	-
690 V~	8	16	18	8	16	18	
Standard breaking capacity Ics (% Icu)		100	100	100	100	100	100

## Adjustment for thermal-magnetic DPX<sup>3</sup>

Setting	DPX <sup>3</sup> thermal magnetic	DPX <sup>3</sup> with integrated e.l.c.bs
I <sub>r</sub> overload trip threshold (thermal)	0.8 to 1 I <sub>n</sub>	0.8 to 1 I <sub>n</sub>
I <sub>m</sub> short-circuit trip threshold (magnetic)	fixed: 10 I <sub>n</sub> <sup>(1)</sup>	fixed: 10 I <sub>n</sub> <sup>(1)</sup>
I <sub>Δn</sub> (A)	-	0.03 - 0.03 - 1 - 3
Δt (s)	-	0 - 0.3 - 1 - 3

1: 400 A for DPX<sup>3</sup> 160 In 16 A and 25 A

## Adjustment for DPX<sup>3</sup> electronic release

Setting	DPX <sup>3</sup>	DPX <sup>3</sup> with integrated e.l.c.bs
I <sub>r</sub> overload trip threshold (long delay)	0.4 to 1 I <sub>n</sub>	
t <sub>r</sub> long delay trip time	3 - 5 - 10 - 15s	
I <sub>Δn</sub> (A)	-	0.03 - 0.03 - 1 - 3
Δt (s)	-	0 - 0.3 - 1 - 3
I <sub>sd</sub> short-circuit trip threshold (short delay)	1.5 - 2 - 2.5 - 3 - 4 - 5 - 6 - 7 - 8 - 9 - 10 x I <sub>r</sub>	
t <sub>sd</sub> short delay trip time	0.01 - 0.1 - 0.2 - 0.3 - 0.4 - 0.5s	
I <sub>g</sub>	(0.2 - 0.3 - 0.4 - 0.5 - 0.6 - 0.7 - 0.8 - 1 - OFF) x I <sub>n</sub>	
t <sub>g</sub>	0.1 - 0.2 - 0.3 - 0.4 - 0.5 - 1s	-



Functioning in particular conditions (temperature and altitude derating)  
**see technical sheets**



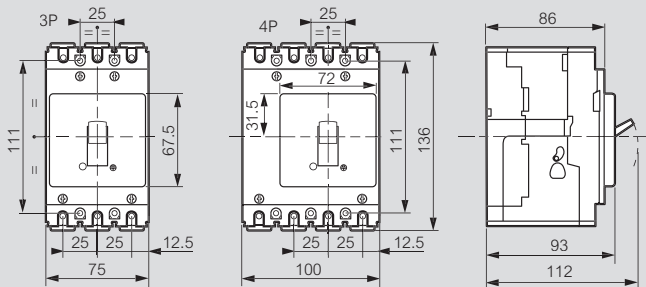
DPX<sup>3</sup> tripping curves  
**see technical sheets**

# DPX<sup>3</sup> 125/160 HP

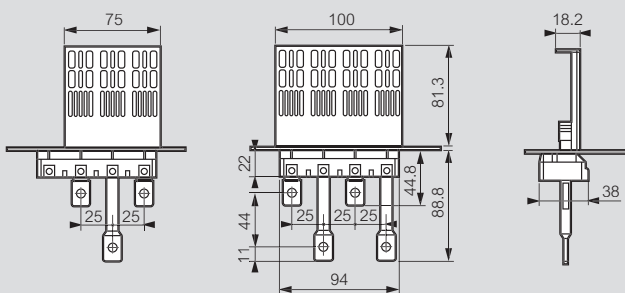
## technical characteristics

### Dimensions

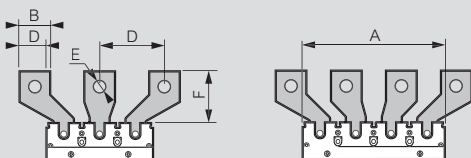
#### Fixed version, front terminals



#### Fixed version with rear terminals Cat.Nos 4 238 91/92

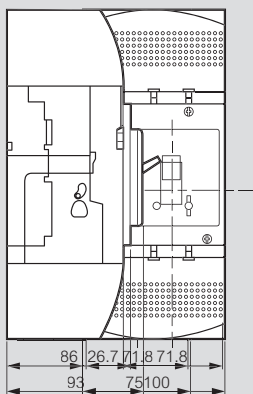


#### Spreaders Cat.Nos 4 238 88/89

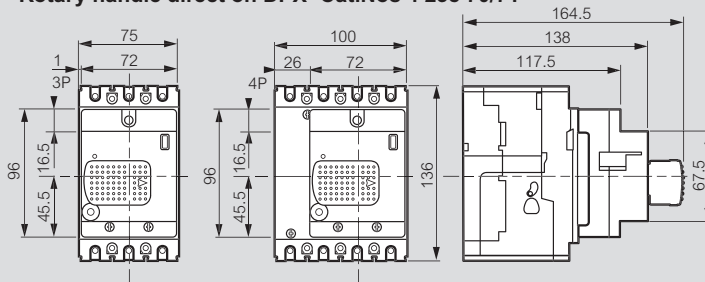


	A	B	C	D	E	F
3P	75	22	10	35.7	10.2	32
4P	100	22	10	35.7	10.2	32

#### Sealable terminal shields Cat.Nos 4 238 93/94

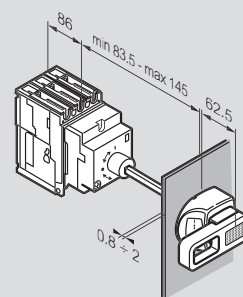


#### Rotary handle direct on DPX<sup>3</sup> Cat.Nos 4 238 70/71

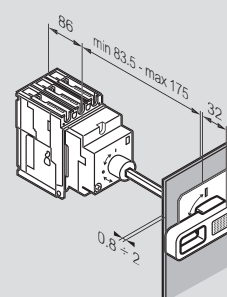


#### Vari-depth handle Cat.Nos 4 238 72/73

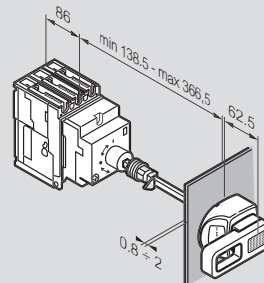
##### IP 55



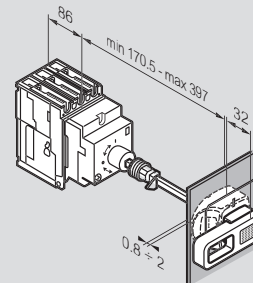
##### IP 40



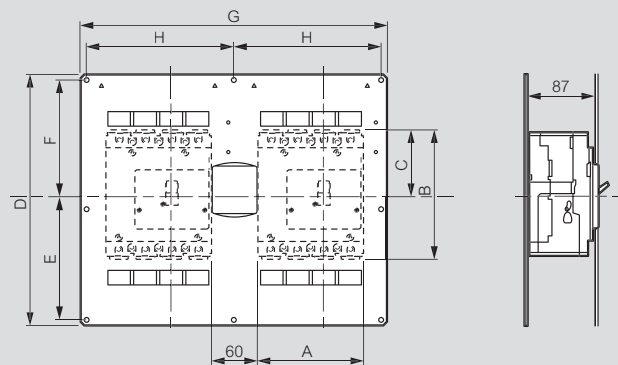
##### IP 55



##### IP 40



#### Mechanical interlock Cat.Nos 4 238 25/26/27



	A	B	C	D	E	F	G	H
3P	75	136	68	290	140	135	315	150
4P	100	136	68	290	140	135	315	150

More dimensions for DPX<sup>3</sup> 125 HP  
see technical sheets

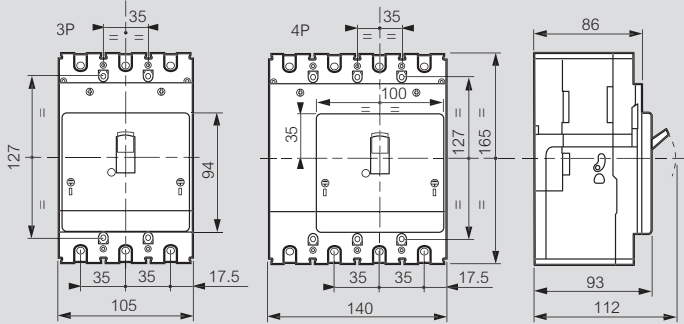


# DPX<sup>3</sup> 250 HP

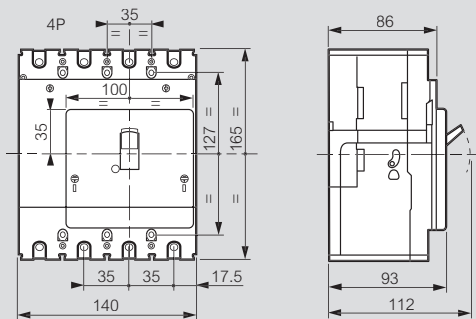
## technical characteristics

### Dimensions

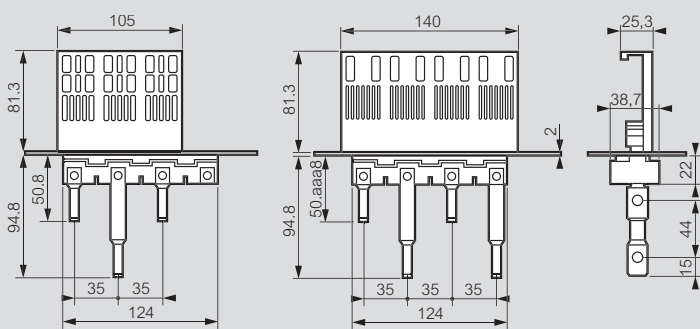
#### Fixed version, front terminals



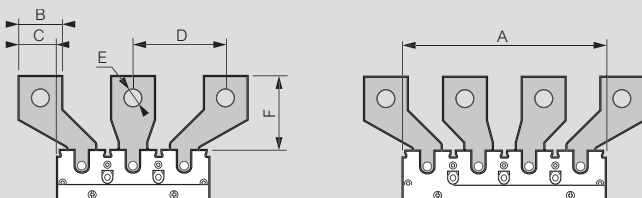
#### Fixed version with electronic earth leakage module



#### Fixed version with rear terminals Cat.Nos 4 238 91/92



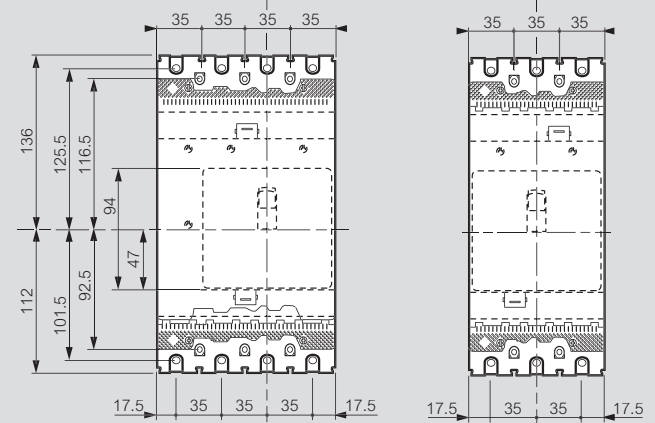
#### Spreaders Cat.Nos 4 238 23/24



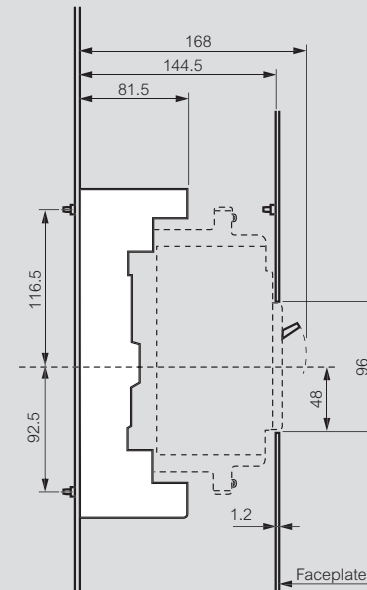
	A	B	C	D	E	F
3P	105	30	27	63.5	13	50
4P	140	30	27	63.5	13	50

#### Plug-in version front terminals

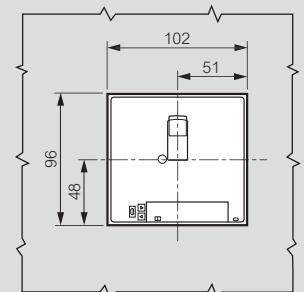
##### Front view



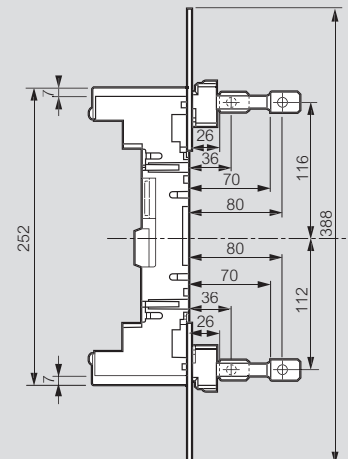
##### Side view with faceplate



##### Front view with faceplate



#### Plug-in base with rear terminals Cat.Nos 4 238 21/22



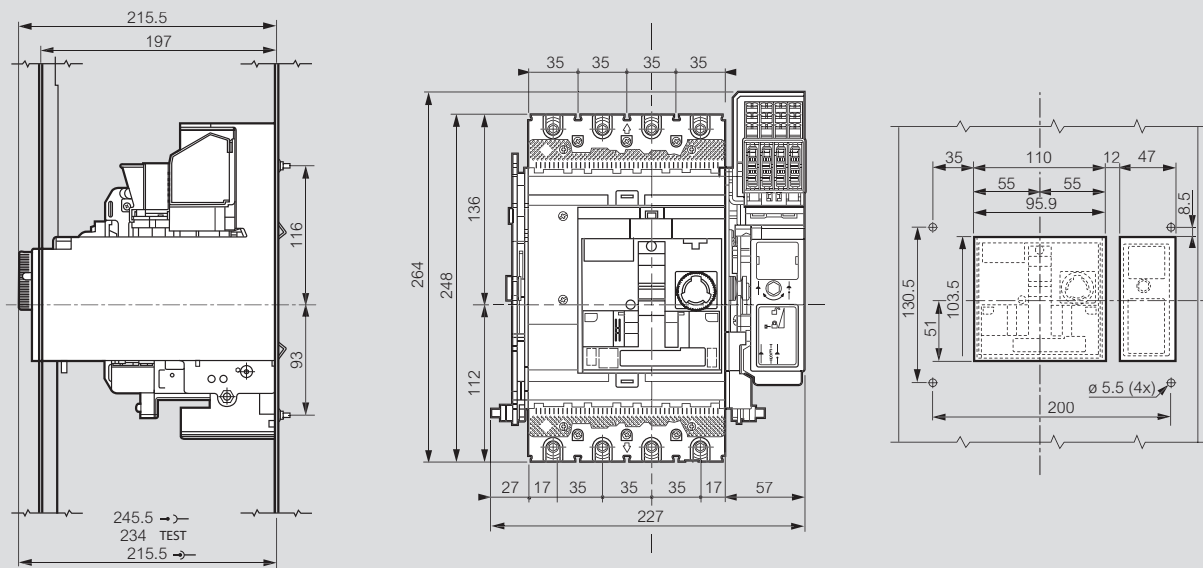
More dimensions for DPX<sup>3</sup> 250 HP  
see technical sheets

# DPX<sup>3</sup> 250 HP

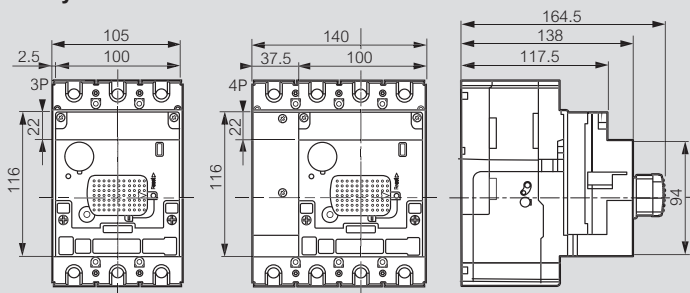
technical characteristics (continued)

## Dimensions

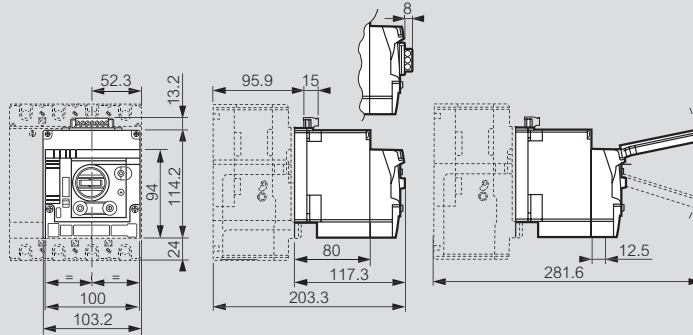
### Draw-out version



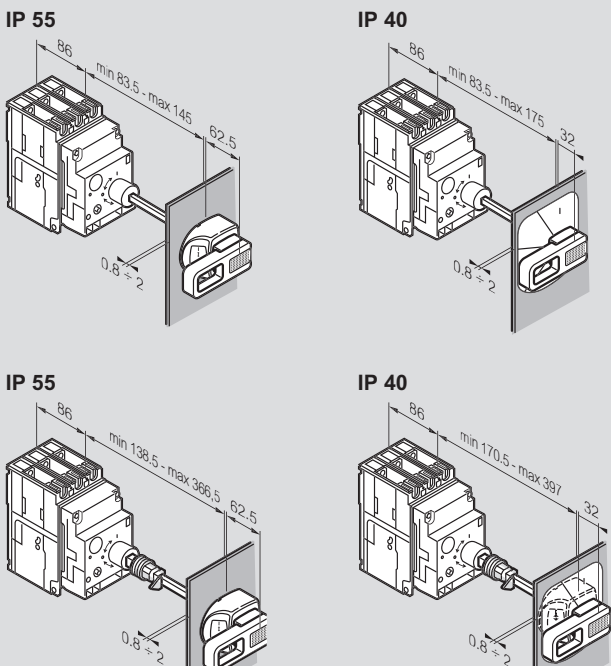
### Rotary handle direct on DPX<sup>3</sup> Cat.Nos 4 238 70/71



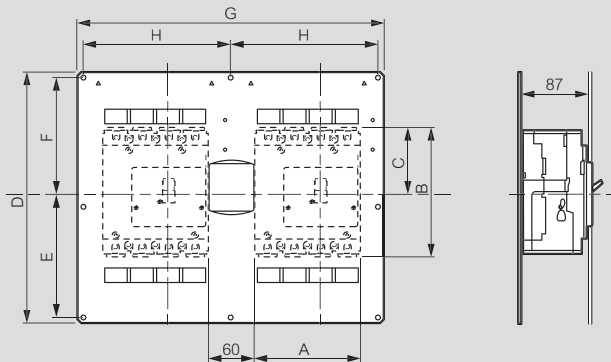
### Motor driven handle Cat.Nos 4 238 40/41/42/43



### Vari-depth handle Cat.Nos 4 238 72/73



### Mechanical interlock Cat.Nos 4 238 26/27/28



	A	B	C	D	E	F	G	H
3P	105	165	82.5	340	165	160	415	200
4P	140	165	82.5	340	165	160	415	200

More dimensions for DPX<sup>3</sup> 250 HP  
see technical sheets

# DPX<sup>3</sup> 125, 160 and 250 HP

technical characteristics (continued)

## Technical characteristics (at 40 °C and 50 °C)

MCCBs		DPX <sup>3</sup> 125 HP thermal magnetic				DPX <sup>3</sup> 125 HP thermal magnetic with electronic earth leakage module		DPX <sup>3</sup> 160 HP thermal magnetic				DPX <sup>3</sup> 160 HP thermal magnetic with electronic earth leakage module		
		36 kA	50 kA	70 kA	100 kA	36 kA	50 kA	36 kA	50 kA	70 kA	100 kA	36 kA	50 kA	
Nominal rating In (A)		16-20-25-32-40 50-63-80-100-125				16-20-25-32-40 50-63-80-100-125		160				160		
Rated insulation voltage Ui (V)	50-60Hz	800				500		800				500		
Rated operational voltage Ue (V)	50-60Hz	690				500		690				500		
Rated impulse withstand current Uimp (kV)		8				6		8				6		
Category of use		A				A		A				A		
IEC 60947-2	Ultimate breaking capacity (kA) in AC	220/240 V~	70	90	100	150	70	90	70	90	100	150	70	90
		380/415 V~	36	50	70	100	36	50	36	50	70	100	36	50
		440/460 V~	20	25	35	40	20	25	20	25	35	40	20	25
		480/500 V~	12	16	20	25	12	16	12	16	20	25	12	16
		550 V~	8	10	16	18	-	-	8	10	16	18	-	-
		690 V~	5	6	10	12	-	-	5	6	10	12	-	-
		Short-circuit making capacity Icm (kA)	415 V~	76.5	105	154	220	76.5	105	76.5	105	154	220	76.5
	Standard breaking capacity Ics (% Icu)		100	100	100	100	100	100	100	100	100	100	100	100

MCCBs		DPX <sup>3</sup> 250 HP thermal magnetic				DPX <sup>3</sup> 250 HP thermal magnetic with electronic earth leakage module		
		36 kA	50kA	70 kA	100 kA	36 kA	50 kA	
Rated current In (A)		16-20-25-32-40-50-63-80-100-125-160-200-250				16-20-25-32-40-50-63-80-100-125-160-200-250		
Rated insulation voltage Ui (V)	50-60Hz	800				500		
Rated operational voltage Ue (V)	50-60Hz	690				500		
Rated impulse withstand current Uimp (kV)		8				6		
Category of use		A				A		
IEC 60947-2	Ultimate breaking capacity (kA) in AC	220/240 V~	70	90	100	150	70	90
		380/415 V~	36	50	70	100	36	50
		440/460 V~	25	30	40	50	25	30
		480/500 V~	16	18	30	35	16	18
		550 V~	10	12	22	25	-	-
		690 V~	7	8	20	22	-	-
		Short-circuit making capacity Icm (kA)	415 V~	76.5	105	154	220	76.5
	Standard breaking capacity Ics (% Icu)		100	100	100	100	100	100

MCCBs		DPX <sup>3</sup> 250 HP electronic release				DPX <sup>3</sup> 250 HP electronic release with electronic earth leakage module		
		36 kA	50kA	70 kA	100 kA	36 kA	50kA	
Rated current In (A)		40-100-160-250				40-100-160-250		
Rated insulation voltage Ui (V)	50-60Hz	800				500		
Rated operational voltage Ue (V)	50-60Hz	690				500		
Rated impulse withstand current Uimp (kV)		8				6		
Category of use		A				A		
IEC 60947-2	Ultimate breaking capacity (kA) in AC	220/240 V~	70	90	100	150	70	90
		380/415 V~	36	50	70	100	36	50
		440/460 V~	25	30	40	50	25	30
		480/500 V~	16	18	30	35	16	18
		550 V~	10	12	22	25	-	-
		690 V~	7	8	20	22	-	-
		Short-circuit making capacity Icm (kA)	415 V~	76.5	105	154	220	76.5
	Standard breaking capacity Ics (% Icu)		100	100	100	100	100	100

## Adjustment for thermal-magnetic DPX<sup>3</sup> 125, 160 and 250 HP

Setting	DPX <sup>3</sup> thermal magnetic	DPX <sup>3</sup> with integrated e.l.c.bs
Ir overload trip threshold (thermal)	0.8 - 0.9 - 1 x In	
Im short-circuit trip threshold (magnetic)	DPX <sup>3</sup> 125 HP	fixed at 400 A for In from 16 A to 40 A fixed at 10 x In for In ≥ 50 A
	DPX <sup>3</sup> 250 HP	fixed at 400 A for In ≤ 40 A Adjustable: from 6.5 to 13 x In for In = 50 A from 5 to 10 x In for In ≥ 50 A
I <sub>Δn</sub> (A)	-	0.03 - 0.3 - 1 - 3
Δt (s)	-	0 - 0.3 - 1 - 3

## Adjustment for DPX<sup>3</sup> 250 HP electronic release

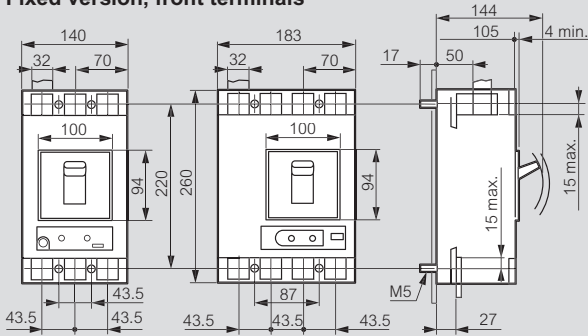
Setting	DPX <sup>3</sup> S1	DPX <sup>3</sup> S1 with integrated e.l.c.bs	DPX <sup>3</sup> S10	DPX <sup>3</sup> S10 with integrated e.l.c.bs
Ir overload trip threshold (long delay)	0.4 to 1 x In		0.2 to 1 x In - OFF (step 1 A)	
tr	5 s		3 to 15 s (step 40 ms via software/app)	
I <sub>Δn</sub> (A)	-	0.03 - 0.03 - 1 - 3	-	0.03 - 0.3 - 1 - 3
Δt (s)	-	0 - 0.3 - 1 - 3	-	0 - 0.3 - 1 - 3
I <sub>sd</sub> short-circuit trip threshold (short delay)	1.5 - 2 - 2.5 - 3 - 4 - 5 - 6 - 7 - 8 - 9 - 10 x Ir		1.5 x Ir to 10 x In - OFF (step 1 A via software / app)	
tsd (t=k, I <sup>2</sup> t=k) short delay trip time	0.1 s		40 to 480 ms (step 40 ms via software / app)	
Ii instantaneous protection (t=k)	-		2 to 15 x In - OFF, (step 1 A via software / app)	
Ig	-		0.2 to 1 x In - OFF (step 0.1 x In)	
tg (t=k, I <sup>2</sup> t=k)	-		80 ms to 1 s (step 40 ms)	

Functioning in particular conditions (temperature and altitude derating)  
**see technical sheets**

DPX<sup>3</sup> HP tripping curves  
**see technical sheets**

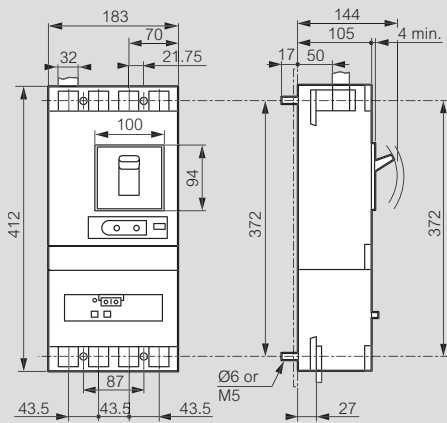
**Dimensions**

**Fixed version, front terminals**

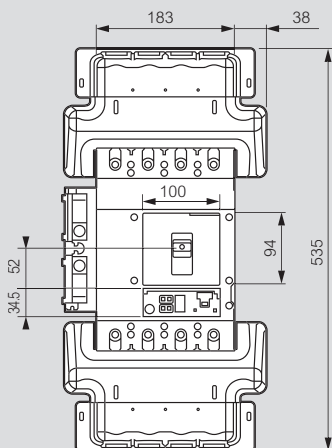
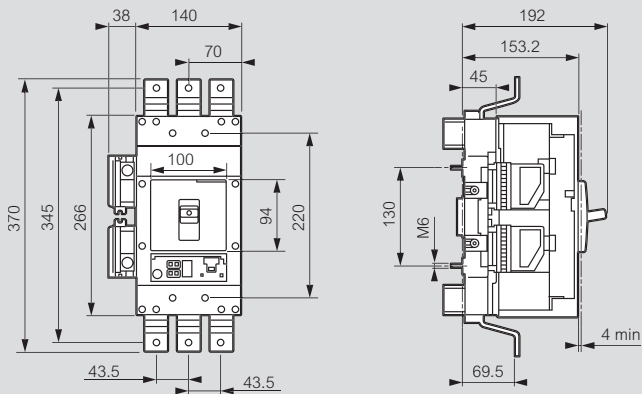


**Fixed version with earth leakage module mounted underneath**

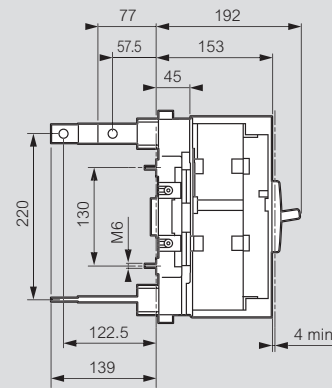
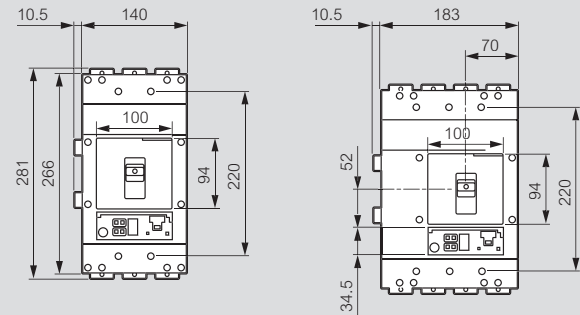
Front terminals



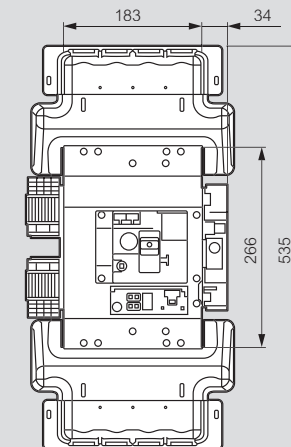
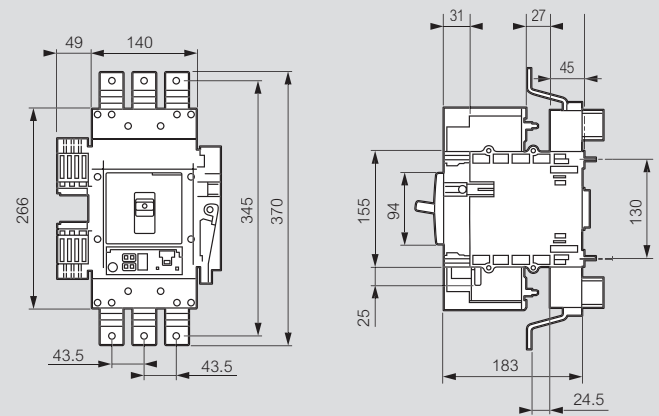
**Plug-in version, front terminals**



**Plug-in version, rear terminals**



**Draw-out version, front terminals**

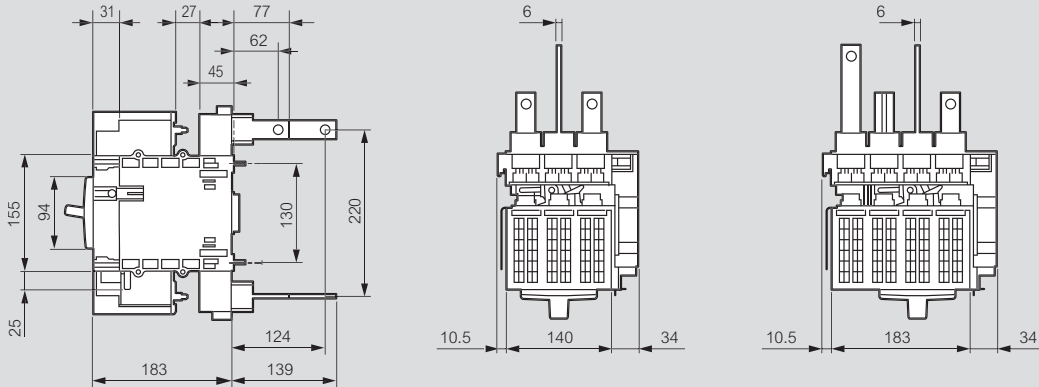


1: 75 mm without mechanical system

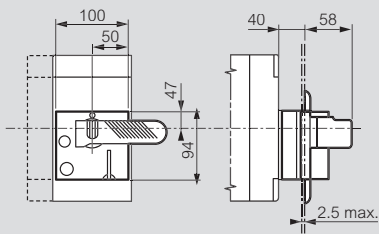


### Draw-out version, rear terminals

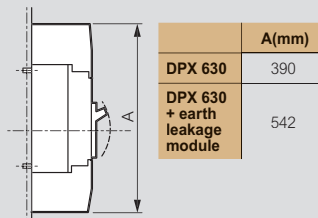
Flat rear terminal



### Rotary handle-direct on DPX<sup>3</sup>

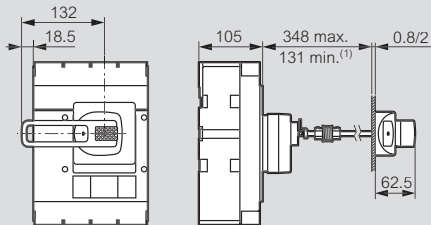


### Terminal shields



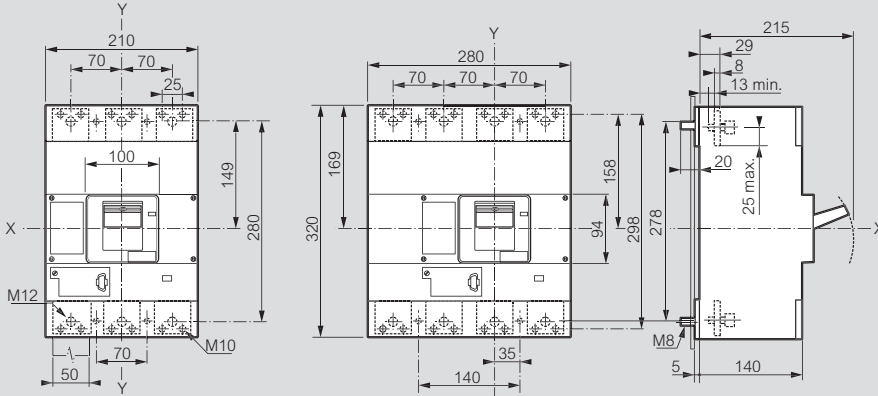
### Rotary handle-vari-depth handle on door

Mounting with flexible seal

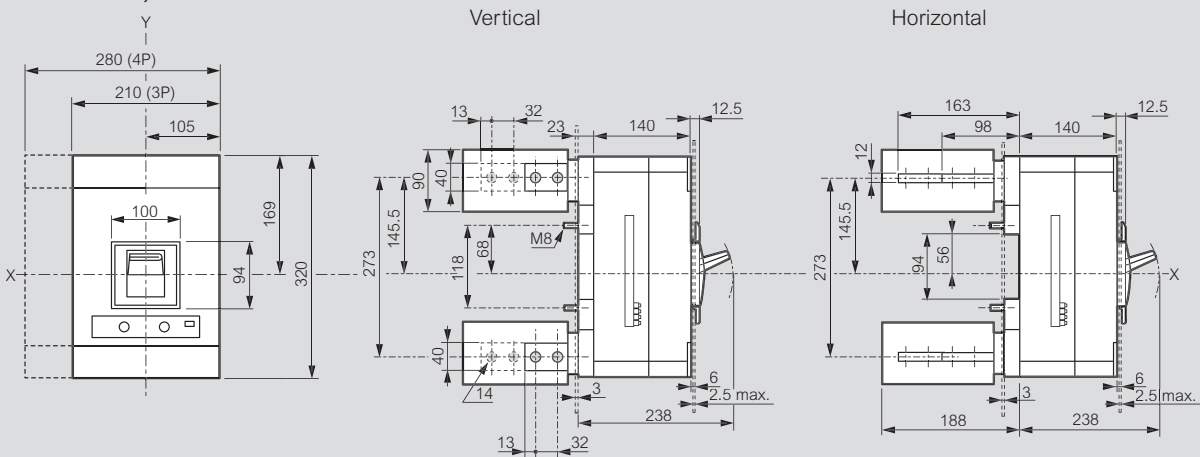


**Dimensions**

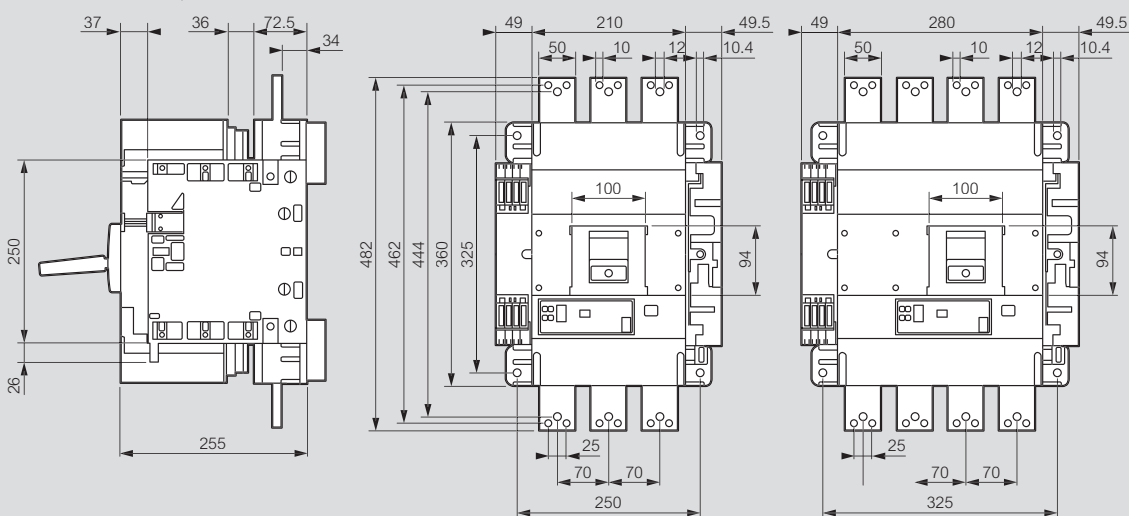
**Fixed version, front terminals**



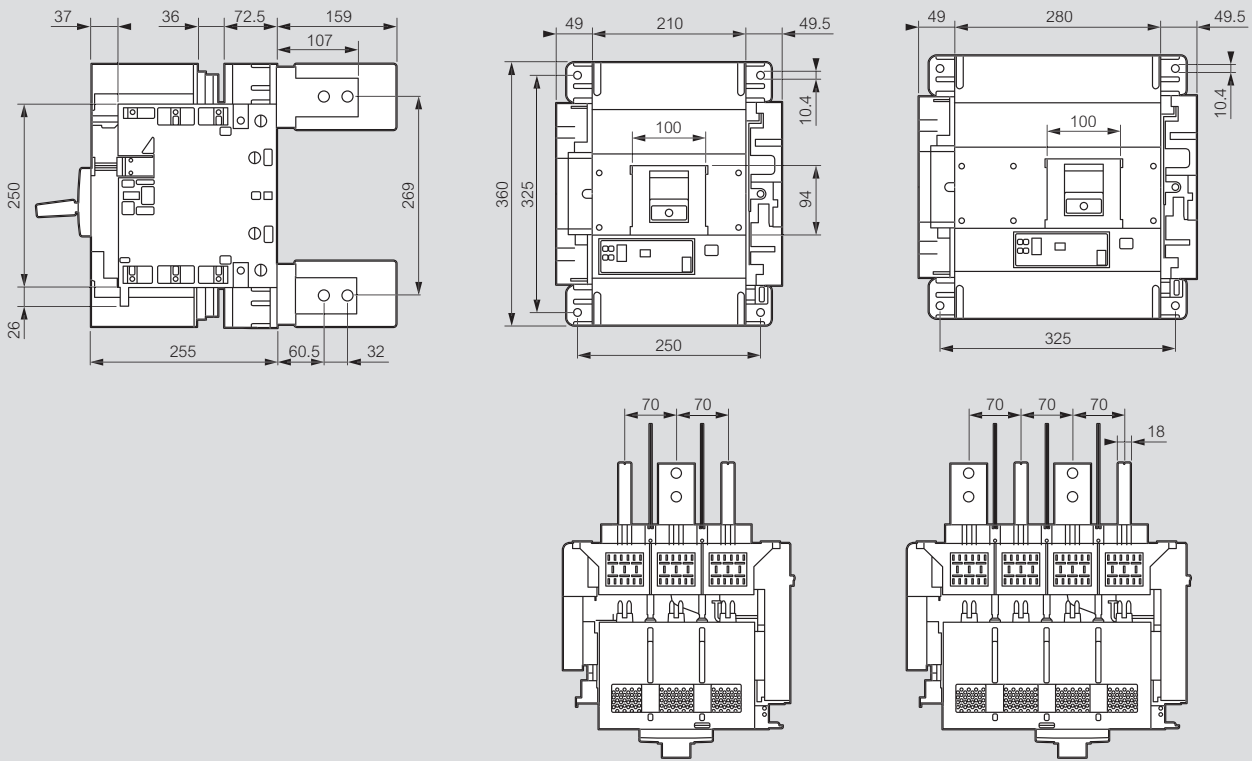
**Fixed version, rear terminals**



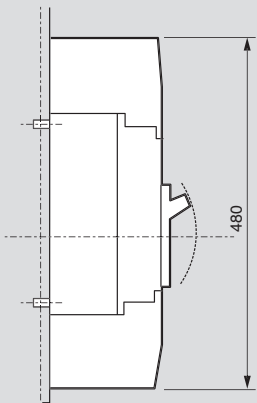
**Draw-out version, front terminals**



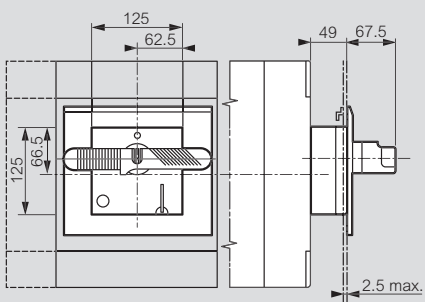
### Draw-out version, rear terminals



### Terminal shields

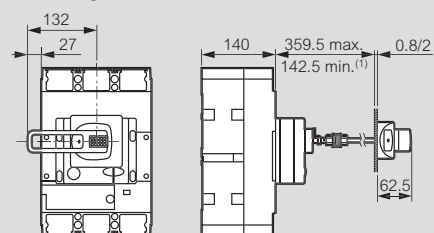


### Rotary handle-direct on DPX<sup>3</sup>



### Rotary handle-vari-depth handle on door

Mounting with flexible seal



1: 75 mm without mechanical system

## DPX<sup>3</sup> 630/1600

### reading DPX<sup>3</sup> characteristic curves and adjustment ranges

#### Adjustment for thermal-magnetic DPX<sup>3</sup>

Threshold Setting	DPX <sup>3</sup> 630	DPX <sup>3</sup> 1600
I <sub>r</sub> overload trip threshold (thermal)	0.8 to 1 I <sub>n</sub>	0.8 to 1 I <sub>n</sub>
I <sub>m</sub> short-circuit trip threshold (magnetic)	5 to 10 I <sub>n</sub>	5 to 10 I <sub>n</sub>

#### Adjustment for DPX<sup>3</sup> electronic release

Threshold Setting	S1
I <sub>r</sub> long delay setting current (protection against overloads)	$I_r = 0.4 \div 1 \times I_n$ (with 2 selectors of 10 steps)
t <sub>r</sub> long delay protection operation time	t <sub>r</sub> = 5 s (with memory ON)
I <sub>sd</sub> short delay setting current (protection against short-circuits)	$I_{sd} = 1.5 \div 10 I_r$ (with 10 steps)
t <sub>sd</sub> (t=k, I <sup>2</sup> t=k) short delay protection operation time	t <sub>sd</sub> = 100 ms

Threshold Setting	S10	
	Directly on the MCCB	Via software/App.
I <sub>r</sub> long delay setting current (protection against overloads)	0.2 to 1 x I <sub>n</sub> / step 1 A	0.2 to 1 x I <sub>n</sub> - OFF / step 1 A
t <sub>r</sub> long delay protection operation time	3 to 30 s	3 to 30 s / step 40 ms
I <sub>sd</sub> short delay setting current (protection against short-circuits)	1.5 to 3 x I <sub>r</sub> / step 0.5 x I <sub>r</sub> 3 to 10 x I <sub>r</sub> / step I <sub>r</sub>	1.5 x I <sub>r</sub> to 10 x I <sub>n</sub> - OFF / step 1 A
t <sub>sd</sub> (t=k, I <sup>2</sup> t=k) short delay protection operation time	40 to 480 ms	40 to 480 ms / step 40 ms
I <sub>i</sub> (t=k) instantaneous protection	-	2 to 15 x I <sub>n</sub> - OFF / step 1 A
I <sub>g</sub>	0.2 to 1 x I <sub>n</sub> / step 0.1 x I <sub>n</sub>	0.2 to 1 x I <sub>n</sub> - OFF / step 0.1 x I <sub>n</sub>
t <sub>g</sub> (t=k, I <sup>2</sup> t=k)	80 to 480 ms and 1 s	80 ms to 1 s / step 40 ms



# Catalogue number index

Cat.Nos	Page	Pack	Cat.Nos	Page	Pack	Cat.Nos	Page	Pack	Cat.Nos	Page	Pack	Cat.Nos	Page	Pack	Cat.Nos	Page	Pack	
<b>0 098 00</b>			0 262 50	46	1	4 200 01	25	1	4 200 81	25	1	4 201 57	25	1	4 203 05	28	1	
0 098 19	40	1	51	-	1	02	-	1	82	-	1	97	52	1	07	-	1	
<b>0 260 00</b>			60	49	1	03	-	1	83	-	1	98	-	1	09	-	1	
0 260 60	45	1	61	-	1	04	-	1	84	-	1	99	-	1	12	-	1	
61	-	1	64	-	1	05	-	1	85	-	1	<b>4 202 00</b>			15	-	1	
63	-	1	65	-	1	06	-	1	86	-	1	4 202 05	27	1	17	-	1	
64	-	1	66	-	1	07	-	1	87	-	1	07	-	1	19	-	1	
65	-	1	67	-	1	10	-	1	90	-	1	08	-	1	22	-	1	
67	-	1	68	-	1	11	-	1	91	-	1	09	-	1	25	-	1	
88	51	1	69	-	1	12	-	1	92	-	1	15	-	1	27	-	1	
92	-	1	70	-	1	13	-	1	93	-	1	17	-	1	29	-	1	
93	-	1	73	-	1	14	-	1	94	-	1	18	-	1	32	-	1	
94	-	1	74	-	1	15	-	1	95	-	1	19	-	1	35	-	1	
95	-	1	81	-	1	16	-	1	96	-	1	25	-	1	37	-	1	
96	-	1	82	-	1	17	-	1	97	-	1	27	-	1	39	-	1	
97	-	1	83	-	1	30	-	1	<b>4 201 00</b>			28	-	1	42	-	1	
98	-	1	84	-	1	31	-	1	4 201 10	25	1	29	-	1	45	-	1	
<b>0 261 00</b>			93	46, 49	1	32	-	1	11	-	1	35	-	1	47	-	1	
0 261 19	49	1	94	-	1	33	-	1	12	-	1	37	-	1	49	-	1	
23	-	1	<b>0 263 00</b>			34	-	1	13	-	1	38	-	1	52	-	1	
24	-	1	0 263 48	45, 49	1	35	-	1	14	-	1	39	-	1	55	-	1	
25	-	1	52	46	1	36	-	1	15	-	1	45	-	1	57	-	1	
26	-	1	53	-	1	37	-	1	16	-	1	47	-	1	59	-	1	
27	-	1	80	49	1	40	-	1	17	-	1	48	-	1	62	-	1	
28	-	1	81	-	1	41	-	1	20	-	1	49	-	1	65	-	1	
29	-	1	82	-	1	42	-	1	21	-	1	55	-	1	67	-	1	
40	46	1	83	-	1	43	-	1	22	-	1	57	-	1	69	-	1	
41	-	1	83	-	1	44	-	1	23	-	1	58	-	1	72	-	1	
44	-	1	<b>0 264 00</b>			45	-	1	24	-	1	59	-	1	75	-	1	
54	-	1	0 264 04	45	1	46	-	1	25	-	1	65	-	1	77	-	1	
56	50	1	05	49	1	47	-	1	26	-	1	67	-	1	79	-	1	
58	46, 49	1	09	45	1	50	-	1	27	-	1	68	-	1	82	-	1	
59	-	1	10	49	1	51	-	1	30	-	1	69	-	1	85	-	1	
90	31, 41, 50	1	<b>0 265 00</b>			52	-	1	31	-	1	75	-	1	87	-	1	
91	-	1	0 265 74	45, 49	1	53	-	1	32	-	1	77	-	1	89	-	1	
<b>0 262 00</b>			75	-	1	54	-	1	33	-	1	<b>4 204 00</b>			4 204 02	29	1	
0 262 30	46	1	76	-	1	55	-	1	34	-	1	05	-	1	07	-	1	
40	-	1	77	45	1	56	-	1	35	-	1	09	-	1	12	-	1	
41	-	1	78	-	1	57	-	1	36	-	1	15	-	1	17	-	1	
44	-	1	79	49	1	70	-	1	37	-	1	19	-	1	22	-	1	
45	-	1	80	-	1	71	-	1	50	-	1	25	-	1	27	-	1	
46	-	1	<b>0 283 00</b>			72	-	1	51	-	1	<b>4 203 00</b>			4 203 00	52	1	
47	-	1	0 283 10	50	1	73	-	1	52	-	1	02	28	1	4 203 00	02	28	
48	-	1	<b>4 200 00</b>			74	-	1	53	-	1							
49	-	1	4 200 00	25	1	75	-	1	54	-	1							
						76	-	1	55	-	1							
						77	-	1	56	-	1							
						80	-	1										

# Catalogue number index

Cat.Nos	Page	Pack	Cat.Nos	Page	Pack	Cat.Nos	Page	Pack	Cat.Nos	Page	Pack	Cat.Nos	Page	Pack	Cat.Nos	Page	Pack
4 204 29	29	1	4 205 55	30	1	4 210 25	31, 41	1	4 220 09	42	1	<b>4 222 00</b>			4 222 68	47	1
32	-	1	57	-	1	26	26	1	10	-	1	4 222 16	52	1	69	-	1
35	-	1	59	-	1	27	-	1	11	-	1	17	-	1	70	-	1
37	-	1	<b>4 207 00</b>			28	-	1	12	-	1	18	-	1	71	-	1
39	-	1	4 207 10	52	1	29	-	1	13	-	1	19	-	1	72	-	1
42	-	1	11	-	1	30	30	1	14	-	1	20	45	1	73	-	1
45	-	1	12	-	1	31	-	1	15	-	1	21	-	1	75	-	1
47	-	1	13	-	1	32	26	1	16	-	1	22	-	1	76	-	1
49	-	1	14	-	1	33	-	1	17	-	1	23	-	1	77	-	1
52	-	1	15	-	1	34	30	1	18	-	1	24	-	1	78	-	1
55	-	1	16	-	1	35	-	1	19	-	1	25	-	1	80	-	1
57	-	1	17	-	1	48	40	1	20	-	1	26	-	1	81	-	1
59	-	1	18	-	1	49	31, 35, 41	1	21	-	1	27	-	1	82	-	1
62	-	1	19	-	1	54	26	1	22	-	1	28	-	1	83	-	1
65	-	1	20	-	1	55	-	1	23	-	1	29	-	1	84	-	1
67	-	1	21	-	1	56	30	1	24	-	1	30	40, 45, 49	1	85	-	1
69	-	1	22	-	1	57	-	1	25	-	1	31	45	1	87	-	1
72	-	1	23	-	1	58	31	1	26	-	1	32	-	1	88	-	1
75	-	1	24	-	1	60	-	1	27	-	1	33	-	1	89	-	1
77	-	1	25	-	1	65	-	1	28	-	1	34	46	1	90	-	1
79	-	1	<b>4 210 00</b>			66	-	1	29	-	1	35	-	1	92	-	1
82	-	1	4 210 00	31	1	67	-	1	30	-	1	38	-	1	93	-	1
85	-	1	01	-	1	68	26	1	31	-	1	39	50	1	94	-	1
87	-	1	02	-	1	69	30	1	32	-	1	40	-	1	95	-	1
89	-	1	03	-	1	70	26, 30	1	33	-	1	41	-	1	96	-	1
<b>4 205 00</b>			04	-	1	71	26	1	34	-	1	42	-	1	97	-	1
4 205 02	30	1	05	-	1	72	30	1	35	-	1	43	-	1	<b>4 224 00</b>		
05	-	1	06	-	1	73	26	1	36	-	1	44	-	1	4 224 90	52	1
07	-	1	07	-	1	74	30	1	37	-	1	45	-	1	91	-	1
09	-	1	08	-	1	75	50	1	38	-	1	46	-	1	92	-	1
12	-	1	09	-	1	79	30	1	39	-	1	47	-	1	93	-	1
15	-	1	10	-	1	80	-	1	40	-	1	48	-	1	94	-	1
17	-	1	11	31, 41, 50	1	83	50	1	41	-	1	49	-	1	95	-	1
19	-	1	12	31, 41	1	93	26	1	42	-	1	51	47	1	96	-	1
22	-	1	13	-	1	94	-	1	43	-	1	52	-	1	97	-	1
25	-	1	14	-	1	98	31, 41	1	44	-	1	53	-	1	98	43	1
27	-	1	15	-	1	<b>4 220 00</b>			45	-	1	54	-	1	99	-	1
29	-	1	16	-	1	4 220 00	42	1	46	-	1	56	-	1	<b>4 225 00</b>		
32	-	1	17	-	1	01	-	1	47	-	1	57	-	1	4 225 00	43	1
35	-	1	18	-	1	02	-	1	48	-	1	58	-	1	01	-	1
37	-	1	19	-	1	03	-	1	49	-	1	59	-	1	02	-	1
39	-	1	20	-	1	04	-	1	50	-	1	60	-	1	03	-	1
42	-	1	21	-	1	05	-	1	51	-	1	61	-	1	04	-	1
45	-	1	22	-	1	06	-	1	52	-	1	63	-	1	05	-	1
47	-	1	23	-	1	07	-	1	53	-	1	64	-	1	06	-	1
49	-	1	24	-	1	08	-	1	54	-	1	65	-	1	07	-	1
52	-	1							55	-	1	66	-	1	08	-	1

Cat.Nos	Page	Pack	Cat.Nos	Page	Pack	Cat.Nos	Page	Pack	Cat.Nos	Page	Pack	Cat.Nos	Page	Pack	Cat.Nos	Page	Pack
4 225 09	43	1	4 225 60	47	1	4 226 15	53	1	4 228 42	44	1	4 228 90	44	1	4 229 40	48	1
10	-	1	61	-	1	16	-	1	43	-	1	91	-	1	41	-	1
11	-	1	63	-	1	17	-	1	44	-	1	92	-	1	42	-	1
12	-	1	64	-	1	18	-	1	45	-	1	93	-	1	43	-	1
13	-	1	65	-	1	19	-	1	46	-	1	94	-	1	44	-	1
14	-	1	66	-	1	23	50	1	47	-	1	95	-	1	45	-	1
15	-	1	67	-	1	30	46	1	48	-	1	96	-	1	46	-	1
16	-	1	69	-	1	81	54	1	49	-	1	97	-	1	47	-	1
17	-	1	70	-	1	82	-	1	50	-	1	98	-	1	48	-	1
18	-	1	71	-	1	83	-	1	51	-	1	99	-	1	49	-	1
19	-	1	72	-	1	84	-	1	52	-	1	<b>4 229 00</b>			50	-	1
20	-	1	73	-	1	86	-	1	53	-	1	4 229 00	48	1	51	-	1
21	-	1	75	-	1	87	-	1	54	-	1	01	-	1	52	-	1
22	-	1	76	-	1	88	-	1	55	-	1	02	-	1	53	-	1
23	-	1	77	-	1	89	-	1	56	-	1	03	-	1	55	-	1
24	-	1	78	-	1	90	-	1	57	-	1	04	-	1	56	-	1
25	-	1	81	-	1	91	-	1	58	-	1	05	-	1	57	-	1
26	-	1	82	-	1	92	-	1	59	-	1	06	-	1	58	-	1
27	-	1	83	-	1	<b>4 228 00</b>			60	-	1	07	-	1	60	-	1
28	-	1	84	-	1	4 228 00	31	1	61	-	1	08	-	1	61	-	1
29	-	1	86	49	1	01	-	1	62	-	1	09	-	1	62	-	1
30	-	1	87	-	1	02	-	1	63	-	1	10	-	1	63	-	1
31	-	1	88	-	1	03	-	1	64	-	1	11	-	1	64	-	1
32	-	1	89	-	1	04	46	1	65	-	1	12	-	1	65	-	1
33	-	1	90	-	1	05	-	1	66	-	1	13	-	1	66	-	1
34	-	1	91	-	1	20	44	1	67	-	1	14	-	1	67	-	1
35	-	1	92	-	1	21	-	1	68	-	1	15	-	1	68	-	1
36	-	1	93	-	1	22	-	1	69	-	1	20	-	1	69	-	1
37	-	1	94	-	1	23	-	1	70	-	1	21	-	1	70	-	1
39	47	1	98	53	1	24	-	1	71	-	1	22	-	1	71	-	1
40	-	1	99	-	1	25	-	1	72	-	1	23	-	1	72	-	1
41	-	1	<b>4 226 00</b>			26	-	1	73	-	1	24	-	1	73	-	1
42	-	1	4 226 00	53	1	27	-	1	74	-	1	25	-	1	74	-	1
43	-	1	01	-	1	28	-	1	75	-	1	26	-	1	75	-	1
45	-	1	02	-	1	29	-	1	76	-	1	27	-	1	76	-	1
46	-	1	03	-	1	30	-	1	77	-	1	28	-	1	77	-	1
47	-	1	04	-	1	31	-	1	78	-	1	29	-	1	78	-	1
48	-	1	05	-	1	32	-	1	79	-	1	30	-	1	79	-	1
49	-	1	06	-	1	33	-	1	80	-	1	31	-	1	80	-	1
51	-	1	07	-	1	34	-	1	81	-	1	32	-	1	81	-	1
52	-	1	08	-	1	35	-	1	82	-	1	33	-	1	82	-	1
53	-	1	09	-	1	36	-	1	83	-	1	34	-	1	83	-	1
54	-	1	10	-	1	37	-	1	84	-	1	35	-	1	84	-	1
55	-	1	11	-	1	38	-	1	85	-	1	36	-	1	85	-	1
57	-	1	12	-	1	39	-	1	86	-	1	37	-	1	86	-	1
58	-	1	13	-	1	40	-	1	87	-	1	38	-	1	87	-	1
59	-	1	14	-	1	41	-	1	88	-	1	39	-	1	88	-	1
									89	-	1				89	-	1

# Catalogue number index

Cat.Nos	Page	Pack	Cat.Nos	Page	Pack	Cat.Nos	Page	Pack	Cat.Nos	Page	Pack	Cat.Nos	Page	Pack	Cat.Nos	Page	Pack
4 229 90	48	1	4 230 57	36	1	4 231 27	36	1	4 231 84	52	1	<b>4 234 00</b>			4 234 67	39	1
91	-	1	60	-	1	28	-	1	85	-	1	4 234 00	38	1	68	-	1
92	-	1	61	-	1	29	-	1	87	-	1	01	-	1	75	-	1
93	-	1	62	-	1	30	-	1	88	-	1	02	-	1	76	-	1
95	-	1	63	-	1	31	-	1	89	-	1	03	-	1	77	-	1
96	-	1	64	-	1	32	-	1	91	-	1	05	-	1	78	-	1
97	-	1	65	-	1	35	-	1	<b>4 232 00</b>			06	-	1	80	-	1
98	-	1	66	-	1	36	-	1	4 232 00	37	1	07	-	1	81	-	1
<b>4 230 00</b>			67	-	1	37	-	1	01	-	1	08	-	1	82	-	1
4 230 00	36	1	68	-	1	38	-	1	02	-	1	15	-	1	83	-	1
01	-	1	69	-	1	39	-	1	03	-	1	16	-	1	85	-	1
02	-	1	70	-	1	40	-	1	05	-	1	17	-	1	86	-	1
03	-	1	71	-	1	41	-	1	06	-	1	18	-	1	87	-	1
04	-	1	72	-	1	42	-	1	07	-	1	20	-	1	88	-	1
05	-	1	75	-	1	43	-	1	08	-	1	21	-	1	95	-	1
06	-	1	76	-	1	44	-	1	15	-	1	22	-	1	96	-	1
07	-	1	77	-	1	45	-	1	16	-	1	23	-	1	97	-	1
08	-	1	78	-	1	46	-	1	17	-	1	25	-	1	98	-	1
09	-	1	79	-	1	47	-	1	18	-	1	26	-	1	<b>4 235 00</b>		
10	-	1	80	-	1	50	-	1	20	-	1	27	-	1	4 235 00	39	1
11	-	1	81	-	1	51	-	1	21	-	1	28	-	1	01	-	1
12	-	1	82	-	1	52	-	1	22	-	1	35	-	1	02	-	1
15	-	1	83	-	1	53	-	1	23	-	1	36	-	1	03	-	1
16	-	1	84	-	1	54	-	1	25	-	1	37	-	1	05	-	1
17	-	1	85	-	1	55	-	1	26	-	1	38	-	1	06	-	1
18	-	1	86	-	1	56	-	1	27	-	1	40	-	1	07	-	1
19	-	1	87	-	1	57	-	1	28	-	1	41	-	1	08	-	1
20	-	1	<b>4 231 00</b>			58	-	1	35	-	1	42	-	1	10	-	1
21	-	1	4 231 05	36	1	59	-	1	36	-	1	43	-	1	11	-	1
22	-	1	06	-	1	60	-	1	37	-	1	45	-	1	12	-	1
23	-	1	07	-	1	61	-	1	38	-	1	46	-	1	13	-	1
24	-	1	08	-	1	62	-	1	40	-	1	47	-	1	15	-	1
25	-	1	09	-	1	65	-	1	41	-	1	48	-	1	16	-	1
26	-	1	10	-	1	66	-	1	42	-	1	50	-	1	17	-	1
27	-	1	11	-	1	67	-	1	43	-	1	51	-	1	18	-	1
45	-	1	12	-	1	68	-	1	45	-	1	52	-	1	<b>4 236 00</b>		
46	-	1	13	-	1	69	-	1	46	-	1	53	-	1	4 236 00	34	1
47	-	1	14	-	1	70	-	1	47	-	1	55	-	1	01	-	1
48	-	1	15	-	1	71	-	1	48	-	1	56	-	1	02	-	1
49	-	1	16	-	1	72	-	1	50	-	1	57	-	1	03	-	1
50	-	1	17	-	1	73	-	1	51	-	1	58	-	1	04	-	1
51	-	1	20	-	1	74	-	1	52	-	1	60	39	1	05	-	1
52	-	1	21	-	1	75	-	1	53	-	1	61	-	1	06	-	1
53	-	1	22	-	1	76	-	1	55	-	1	62	-	1	07	-	1
54	-	1	23	-	1	77	-	1	56	-	1	63	-	1	08	-	1
55	-	1	24	-	1	80	52	1	57	-	1	65	-	1	09	-	1
56	-	1	25	-	1	81	-	1	58	-	1	66	-	1			
			26	35, 36	1	83	-	1									

Cat.Nos	Page	Pack	Cat.Nos	Page	Pack	Cat.Nos	Page	Pack	Cat.Nos	Page	Pack	Cat.Nos	Page	Pack	Cat.Nos	Page	Pack
4 236 10	34	1	4 236 70	34	1	4 237 08	34	1	4 238 30	41	1	<b>4 239 00</b>			4 239 53	53	1
11	-	1	71	-	1	09	-	1	31	-	1				4 239 01	53	1
12	-	1	72	-	1	10	-	1	34	35, 41	1	02	-	1	55	-	1
13	-	1	73	-	1	11	-	1	35	-	1	03	-	1	56	-	1
14	-	1	74	-	1	12	-	1	40	40	1	04	-	1	57	-	1
15	-	1	75	-	1	13	-	1	41	-	1	05	-	1	61	-	1
16	-	1	76	-	1	14	-	1	42	-	1	06	-	1	62	-	1
17	-	1	77	-	1	15	-	1	43	-	1	07	-	1	63	-	1
18	-	1	78	-	1	16	-	1	45	-	1	08	-	1	64	-	1
19	-	1	79	-	1	17	-	1	46	-	1	09	-	1	65	-	1
30	-	1	80	-	1	18	-	1	50	-	1	13	-	1	66	-	1
31	-	1	81	-	1	19	-	1	51	-	1	14	-	1	67	-	1
32	-	1	82	-	1	20	35	1	52	-	1	15	-	1	68	-	1
33	-	1	83	-	1	21	-	1	53	-	1	16	-	1	69	-	1
34	-	1	84	-	1	23	-	1	55	-	1	17	-	1	73	-	1
35	-	1	85	-	1	25	-	1	56	-	1	18	-	1	74	-	1
36	-	1	86	-	1	28	-	1	60	-	1	19	-	1	75	-	1
37	-	1	87	-	1	30	-	1	61	-	1	20	-	1	76	-	1
38	-	1	88	-	1	31	-	1	62	-	1	21	-	1	77	-	1
39	-	1	89	-	1	35	-	1	63	-	1	25	-	1	78	-	1
40	-	1	90	-	1	36	-	1	64	-	1	26	-	1	79	-	1
41	-	1	91	-	1	<b>4 238 00</b>			70	35	1	27	-	1	80	-	1
42	-	1	92	-	1	4 238 00	40	1	71	-	1	28	-	1	81	-	1
43	-	1	93	-	1	01	-	1	72	-	1	29	-	1	85	-	1
44	-	1	94	-	1	02	-	1	73	-	1	30	-	1	86	-	1
45	-	1	95	-	1	03	-	1	76	-	1	31	-	1	87	-	1
46	-	1	96	-	1	04	-	1	77	-	1	32	-	1	88	-	1
47	-	1	97	-	1	05	35, 40	1	80	41	1	33	-	1	89	-	1
48	-	1	98	-	1	06	40	1	81	-	1	37	-	1	90	-	1
49	-	1	99	-	1	21	41	1	82	-	1	38	-	1	91	-	1
50	-	1	<b>4 237 00</b>			22	-	1	83	-	1	39	-	1	92	-	1
51	-	1	4 237 00	34	1	23	-	1	84	35	1	40	-	1	93	-	1
52	-	1	01	-	1	24	-	1	85	-	1	41	-	1	<b>6 250 00</b>		
53	-	1	02	-	1	25	35	1	88	-	1	42	-	1	6 250 14	41	1
54	-	1	03	-	1	26	40	1	89	-	1	43	-	1	18	-	1
55	-	1	04	-	1	27	35, 40	1	90	50	1	44	-	1	<b>8 002 00</b>		
56	-	1	05	-	1	28	-	1	91	35	1	45	-	1	8 002 49	52	1
57	-	1	06	-	1	29	40	1	92	-	1	49	-	1	59	-	1
58	-	1	07	-	1	<b>BT-E00</b>			93	-	1	50	-	1	<b>BT-E00</b>		
59	-	1							94	-	1	51	-	1	BT-E49	50	1
												52	-	1			

In accordance with its policy of continual improvement, the company reserves the right to modify the characteristics and design of its products without warning. All illustrations, descriptions, dimensions, and weights indicated in this catalogue are given as a guide only and the company cannot be held liable for their accuracy.














## FOLLOW US ON

- @ legrand.com
-  youtube.com/user/legrand
-  facebook.com/Legrand
-  twitter.com/Legrand
-  pinterest.com/legrandgroup
-  instagram.com/legrandnews



**Head office**  
and International Department  
87045 Limoges Cedex - France  
Tel. : + 33 (0) 5 55 06 87 87  
Fax: + 33 (0) 5 55 06 74 55