

WHITE SPACE

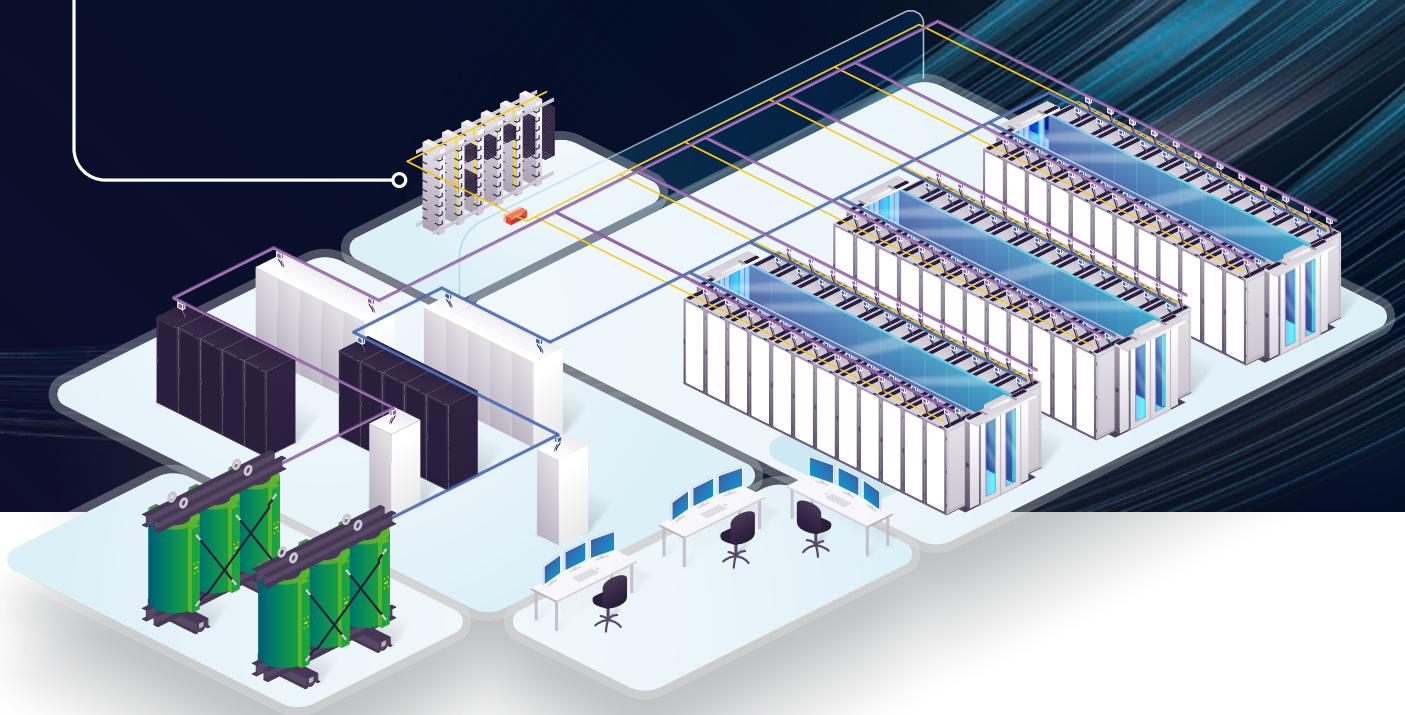
STRUCTURED CABLING

ODF FRAMES (OPTICAL DISTRIBUTION FRAMES)



RELIABLE, EFFICIENT, SCALABLE **DATA CENTER SOLUTIONS**
POWERED BY SPECIALIST BRANDS





An ever-increasing number of data centers are being used at ever-higher bandwidths to meet the growing demand for computing capacity. And whether it's a regional data center, a colocation data center or a hyperscaler, access to the outside world and therefore fiber connectivity is vital.

A Meet-Me Room (MMR) is a secure place where customers can connect to one or more carriers or to several customer cages throughout a campus. This area enables cable companies, ISPs, and other providers to cross-connect with tenants in the data center. An MMR contains cabinets and racks with carriers' hardware allowing quick and reliable data transfer. MMRs physically connect hundreds of different companies and ISPs located in the same facility. This peering process is what makes the internet exchange possible. The Meet-Me Room eliminates the round-trip traffic has to take and keeps the data inside the facility. Packets do not have to travel to the ISP's main network and back. Eliminating local loops makes data exchange more secure while also lowering costs.

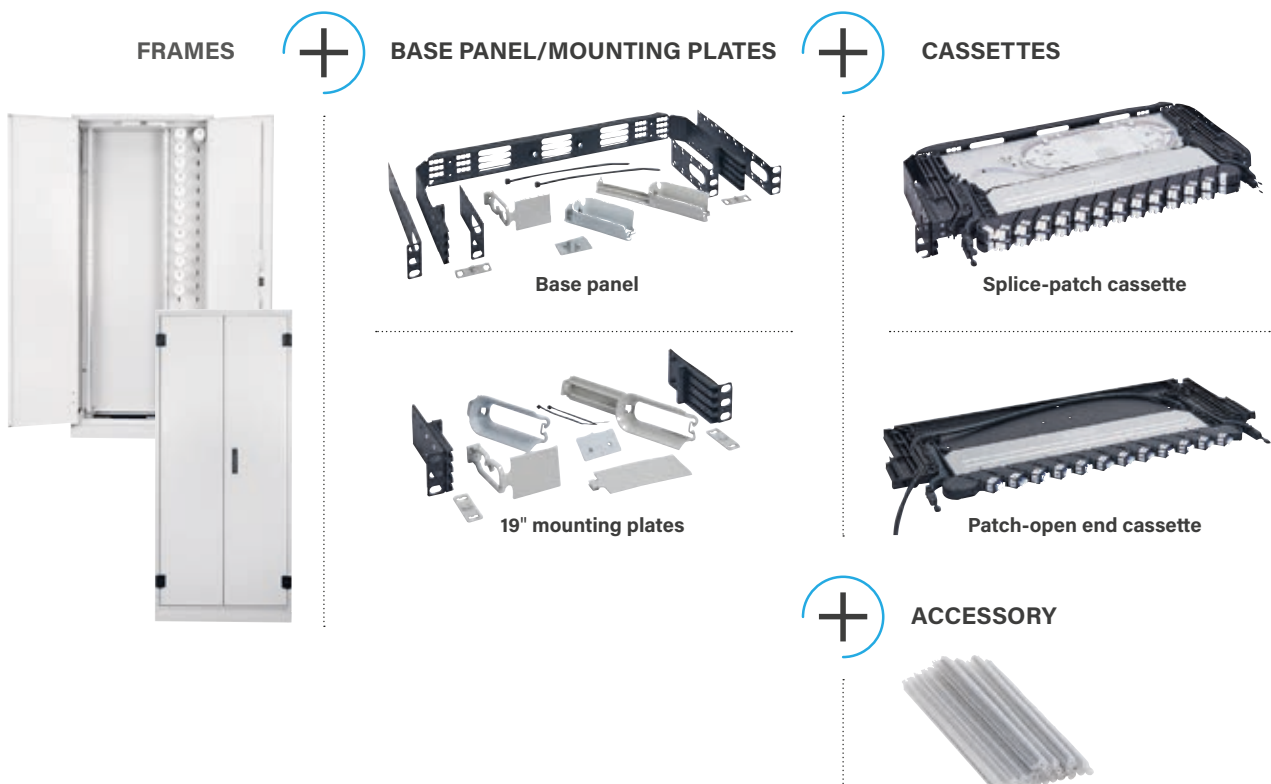
All colocation data centers house an MMR. Most data centers are carrier-neutral. Being carrier-neutral means tenants can choose from a wide selection of network providers. When there are more carriers, customers are more likely to contract with that data center. The main reason is that customers can improve flexibility, redundancy, and optimize their connection by having multiple choices for providers.

The benefits of Meet-Me Rooms include:

- **Reduced latency:** High-bandwidth, direct connection decreases the number of network hops to a minimum. By eliminating network hops, latency is reduced substantially.
- **Reduced cost:** By connecting directly through a Meet-Me Room, carriers bypass local loop charges. With many carriers in one place, customers may find more competitive rates.
- **Quick expansion:** MMRs are an excellent method to provide more fiber connection options for tenants. Carrier-neutral data centers can bring more carriers and expand their offering.


LEGRAND'S RESPONSE

The Legrand LCS³ Meet-Me Room concept is designed to provide high quality, high density, and high performance at all levels.





LCS³ Meet-Me Room solutions



The Legrand LCS³ Meet-Me Room portfolio offers a fully scalable solution that seamlessly responds to both the high fiber numbers used in this type of environment and the high quality and reliability that comes with it.

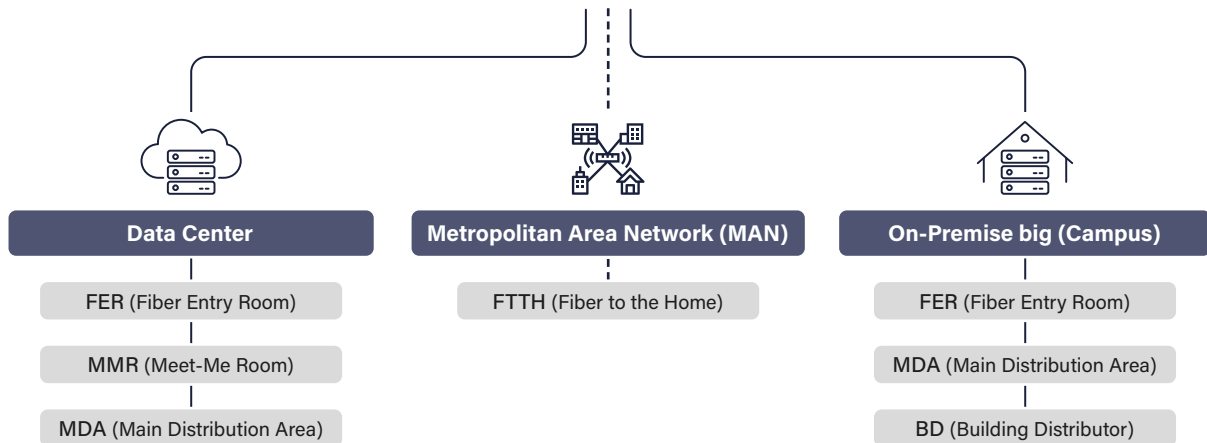
MEET-ME ROOM SOLUTIONS COMBINING HIGH QUALITY AND ASTUTENESS

- Products are selected and tested to exceed standards' specifications.
- The LCS³ Meet-Me Room fiber components ensure high levels of quality and performance at all times.



- The innovative concept offers the possibility of adding extra functionalities where necessary, such as WDM Mux/Dmux or PON integration. With this, the concept also offers excellent application possibilities in so called Telco environments or for example on-premise connectivity.

TYPICAL DEPLOYMENT OPTIONS LEGRAND MEET-ME ROOM PORTFOLIO



MEET-ME ROOM SOLUTIONS

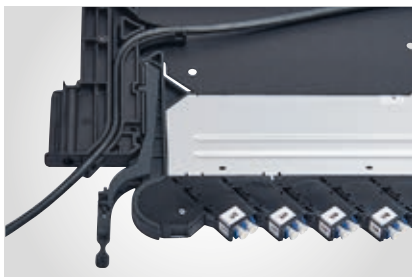
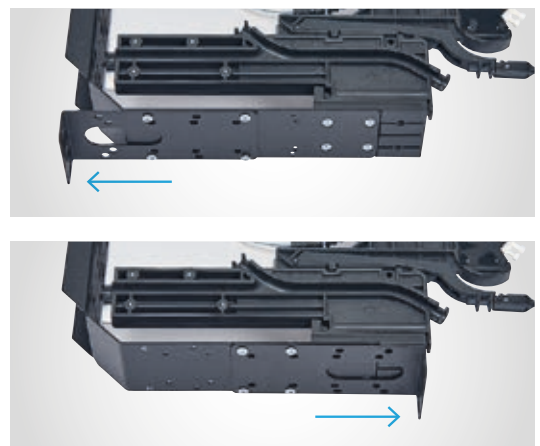
EASE OF WORK AT ALL LEVELS

A good network does not only stand or fall on the quality of its connectivity solution; all preconditions must also be fulfilled correctly.

■ Simple installation

- The LCS³ Meet-Me Room solutions have various mounting options, depending on the installation type (on a wall, uprights, etc.).
- All components can be assembled and disassembled simply and quickly thanks to adjustable uprights, stubs that can be positioned according to your needs...

Adjustable positioning of the 19" mounting brackets, enabling depth adjustment



■ Simple maintenance

- A unique advantage of the ODF patch panels is the ability to use them fully front-loaded. Patch cabling and incoming cabling are fed in from the front, separated from each other, so that moves, adds and changes are easy to perform.
- The ODF patch panels are equipped with a slide-forward function, which makes the patch surface easily accessible, even in case of full patching. Each cassette can be pulled independently 40mm to the front in order to facilitate adds, moves or changes.



FULLY PRE-ASSEMBLED SOLUTION & EASY SCALABILITY

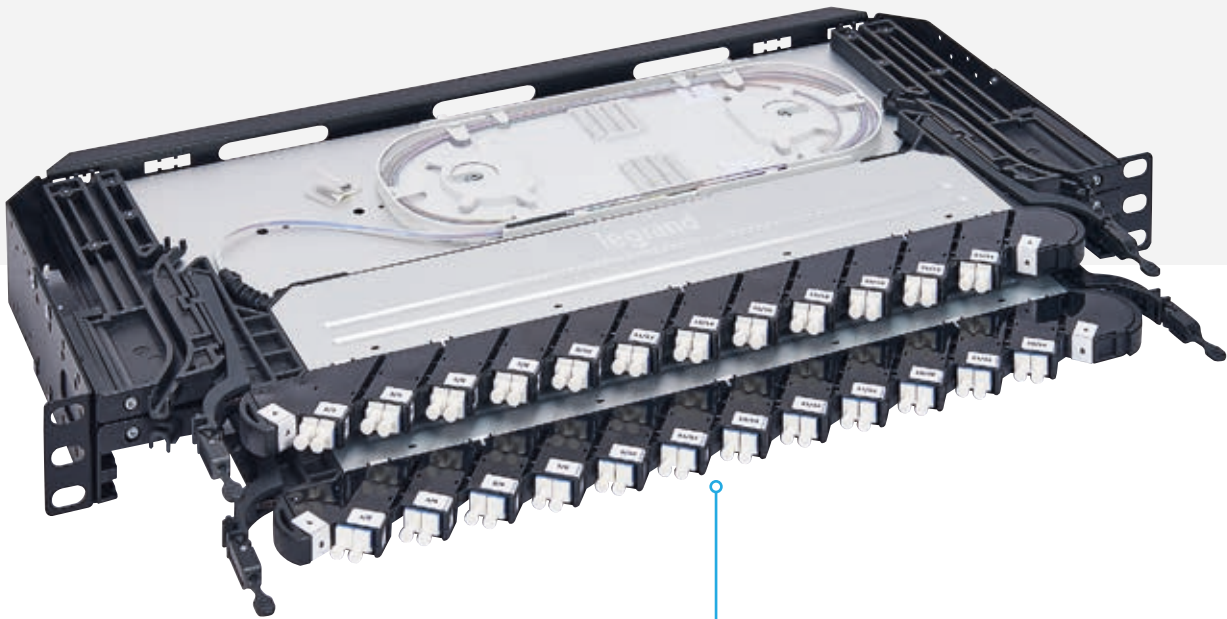
Future-proof solutions based on a modular platform that is easy to upgrade with new functionalities by extending the installation with extra cassettes.

■ **Optimized and simplified patching**

A good network does not only stand or fall with a good connectivity solution, also all preconditions have to be fulfilled correctly. The Legrand Meet-Me Room portfolio therefore consists of an Optical Distribution Frame (ODF) with optimized patch management, especially designed for high density applications. Even with more than 4,000 patches in an ODF frame, this allows the patches to be ranked in a structured way.



Letter marking to spot storage and facilitate cord management



In order to simplify patching, the Meet-Me Room ODF patch panels are equipped with a slide-forward function, which makes the patch surface easily accessible, even in case of full patching.

A unique advantage of the Meet-Me Room patch panel is the ability to use it fully front-loaded. Patch cabling and incoming cabling are fed in from the front, separated from each other, so that moves, adds and changes are easy to perform.



Legrand cabling system, LCS³ Meet-Me Room solutions

cassettes, frames and accessory



C49001 (equipped with cassettes)



C42002



C44001

Can be used in combination with other LCS³ solutions to create an optimal connectivity solution for the entire data center

Pack	Cat.Nos	ODF splice-patch cassettes	ODF frames
		<p>Designed for fast and easy splicing of large amounts of fibers Fully scalable: up to four cassettes on 1U allow for finishing up to 96 fibers, including Air Blown Fibers Completely preloaded delivery including adapters, pigtails, splice trays, heat shrink splice protectors and mounting materials</p> <p>24 fibers - single-mode - LC/PC cassettes 1 C40001 Left splice-patch cassette 1 C40002 Right splice-patch cassette</p> <p>24 fibers - single-mode - LC/APC cassettes 1 C40003 Left splice-patch cassette 1 C40004 Right splice-patch cassette</p> <p>Empty base panel 1 C49001 Empty base panel (1U) for ODF splice-patch cassettes</p>	<p>Dimensions: H 2050 x W 900 x D 400 mm 42U Completely closed: the most critical connections in the data center are well protected against external influences Delivered fully pre-assembled including side panels, back panel, doors, roof and integrated cable management</p> <p>1 C44001 Frame with cable management on the left 1 C44002 Frame with cable management on the right</p>
		<p>ODF patch-open end cassettes Designed for situations where a distribution box or outside-plant splice box is used for splicing Cable diameter 4.5 mm: can be used outside plant in combination with a (multi)duct Cassettes equipped with an open-end cable length 15 m (other lengths available on request)</p> <p>24 fibers - single-mode - LC/PC cassettes 1 C42001 Left patch-open end cassette 1 C42002 Right patch-open end cassette</p> <p>24 fibers - single-mode - LC/APC cassettes 1 C42003 Left patch-open end cassette 1 C42004 Right patch-open end cassette</p> <p>Mounting plates 1 C49002 19" mounting plates for ODF patch-open end cassettes</p>	<p>Accessory 25 C49004 Heat shrink splice protectors 40mm</p>

MEETING ALL YOUR DIGITAL INFRASTRUCTURE REQUIREMENTS!

CHALLENGES IN STRUCTURED CABLING

A structured cabling system that has been designed and deployed effectively will include all the necessary cables and hardware to form a complete telecommunications infrastructure.

The type of structured cabling your data center needs will be determined by various factors, including the services you offer (bandwidth needs), your existing network equipment, and its layout. The top priorities for data centers are to ensure the network infrastructure is flexible, scalable, secure, and has the shortest possible business interruptions. Planning the network structure and selecting the right products to meet current and future requirements is a considerable challenge, and good quality structured cabling components are essential.

STRUCTURED CABLING SOLUTIONS

Pre-assembled solutions have become the norm. Multi-fibre cables usually with 12 or 24 fibers end on 12-fiber MPO/MTP® connectors or LC or SC duplex connectors. Pre-terminated cables simplify and allow much faster installation and provisioning of necessary connections even during operation. When the new servers, switches, or other active equipment are installed or moved, the cables are already in place and ready for connection. Pre-assembled systems are not limited to fiber optic cables. Pre-assembled solutions for copper cables are also becoming increasingly popular as trunk-solutions with jacks on both ends or as multi-patch trunks for fast and easy connection.



> FIND ALL OUR SOLUTIONS FOR
STRUCTURED CABLING IN THE CATALOGUE



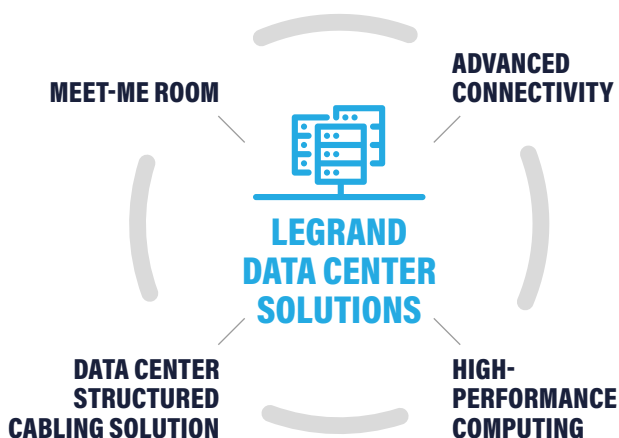


DIFFERENT SOLUTIONS FOR DIFFERENT CABLING AREAS


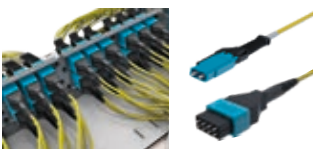


Within the data centers, different areas have different requirements for density, performance, and technology. The increasing demand for bandwidth and the rapid changes in active equipment technology and interfaces are also setting new standards for structured cabling inside and outside the boundaries of the data center. The requirements for the main connection points of several data centres and the connection points to the outside world are completely different in many situations than in the classic white space of a data center.

WE HAVE SOLUTIONS FOR EVERY AREA AND WE ARE HAPPY TO SUPPORT YOU

As a specialist in data center solutions and structured cabling, we offer you a comprehensive portfolio of solutions that can meet all your digital infrastructure requirements. In order to make this clearer and more intuitive, this catalogue is divided into precisely these core areas - we will be happy to advise and support you in making the right product selection if required.



A variety of needs covered!

		GLOBAL ADVANTAGES			PRODUCT CRITERIA	
		EASY & FAST INSTALLATION	MODULARITY & SCALABILITY	VERY HIGH FLEXIBILITY	PRE-TERMINATED & SPLICE SOLUTIONS	FIBER & COPPER SOLUTIONS
	MEET-ME ROOM	✓	✓		✓	
	ADVANCED CONNECTIVITY	✓	✓	✓		
	DATA CENTER STRUCTURED CABLING SOLUTION	✓	✓		✓	✓
	HIGH-PERFORMANCE COMPUTING	✓	✓		✓	

PRODUCT CRITERIA					CUSTOMER ADVANTAGES	
PASSIVE FIBER SOLUTIONS WITH HIGHEST DENSITY	PASSIVE FIBER SOLUTIONS WITH HIGHEST QUALITY	SOLUTIONS READY FOR NEW DD TRANSCEIVER	SOLUTIONS READY FOR BANDWIDTH 400G+	CONNECTION TO PROVIDERS AND/OR OTHER BUILDINGS / DATA CENTERS	SERVICE & SUPPORT	25-YEAR WARRANTY FOR APPLICATION & PERFORMANCE
✓				✓	✓	✓
✓	✓	✓	✓		✓	✓
					✓	✓
	✓		✓		✓	✓

NOTES

NOTES



Headquarters

128, avenue de Lattre de Tassigny
87045 Limoges Cedex

France

Tel.: + 33 (0) 5 55 06 87 87

Fax: + 33 (0) 5 55 06 88 88